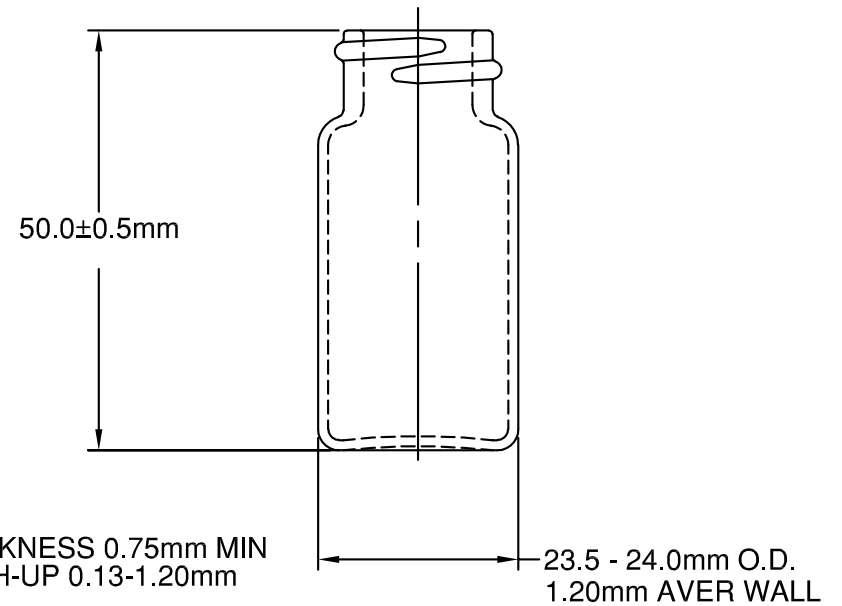


**20-400 FINISH
(3 x 1)**

FINISH MUST HAVE MINIMUM OF 1 TURNS
OF THREAD WITH FULL PROJECTION

FINISH MUST ACCEPT CAP MADE FOR
20-400 G.P.I. FINISH



BOTTOM THICKNESS 0.75mm MIN
BOTTOM PUSH-UP 0.13-1.20mm

DISCLAIMER

THIS INFORMATION IS PROVIDED AS A GENERAL GUIDE, INCLUDING DIMENSIONS. IT IS THE CUSTOMER'S RESPONSIBILITIES TO SELECT THE PROPER CONTAINER FOR PRODUCT AND APPLICATION COMPATIBILITY.

DISTRIBUTED BY:



REF NO.:

DWG30327

DESCRIPTION:

2 Dram Amber Glass Vial, 20-400