

Design

One-piece stamped and spun aluminum can with plastic sleeve and handle

CONSTITUANTS

Color	Standard : White
Injected sleeve material	Polypropylene
Can Material	Aluminium

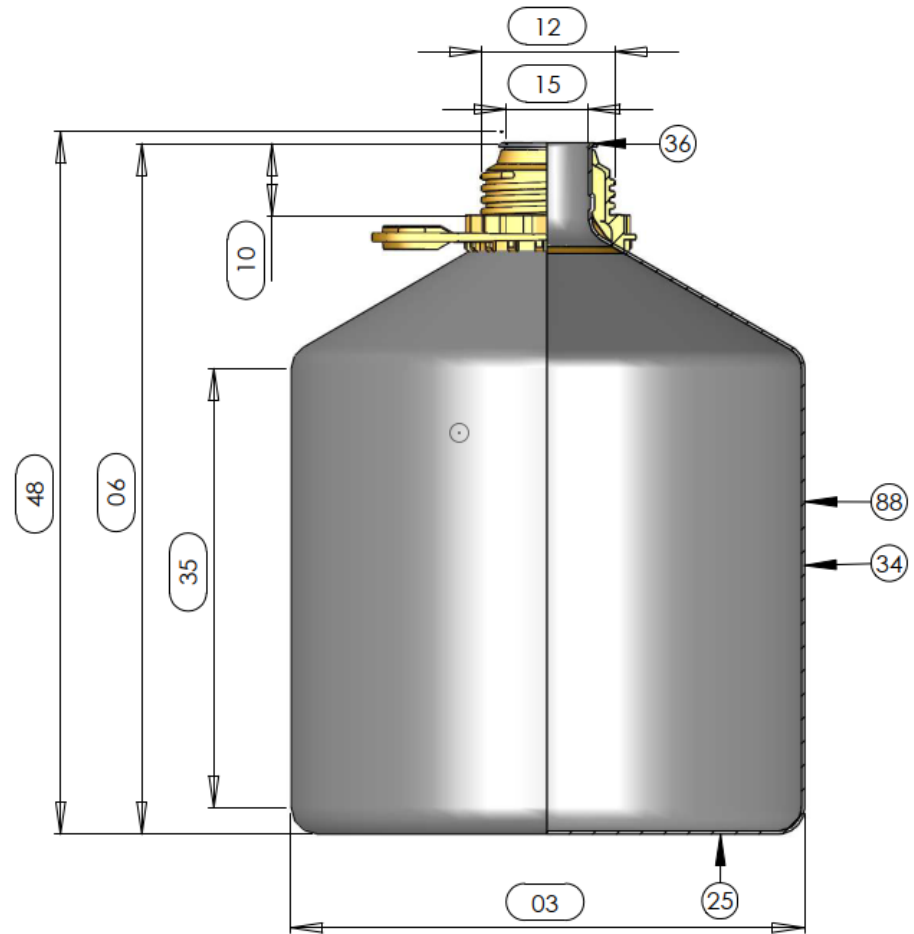
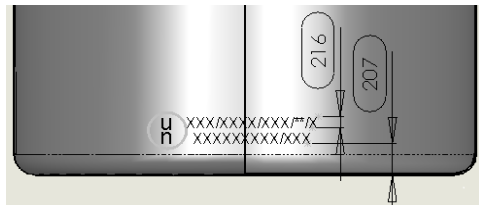
DIMENSIONS

1	Weight	294 ± 20 g
3	Body diameter	175 + 0/-1 mm
6	Bottle Height	233 ± 1 mm
10	Neck Height	22,4 ± 0,4 mm
12	Thread Diameter	45,5 ± 0,25 mm
15	Inside Neck Diameter	28 + 0,2/-0,3 mm
25	Bottom Thickness	0,7 mm mini
34	Wall Thickness	0,65 mm mini
35	Label Area Height	147 mm
36	Volume	4 L mini
48	Height with closure	239 mm

Marquage

215	Marking Type	Inkjet
38	UN Code	1B1/X1,2/250/**/F/BVT 202178/Tou.
		** = year of fabrication

207	Dimension from bottom	15 ± 1 mm
216	Character Height	6 mm mini



DISCLAIMER

THIS INFORMATION IS PROVIDED AS A GENERAL GUIDE, INCLUDING DIMENSIONS. IT IS THE CUSTOMER'S RESPONSIBILITIES TO SELECT THE PROPER CONTAINER FOR PRODUCT AND APPLICATION COMPATIBILITY.

DISTRIBUTED BY:



REF NO.:

DWG31198

DESCRIPTION:

4000 mL/cc Aluminum Bottle, 45mm