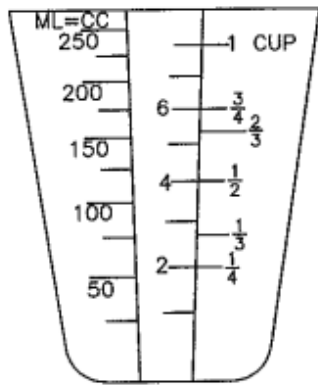
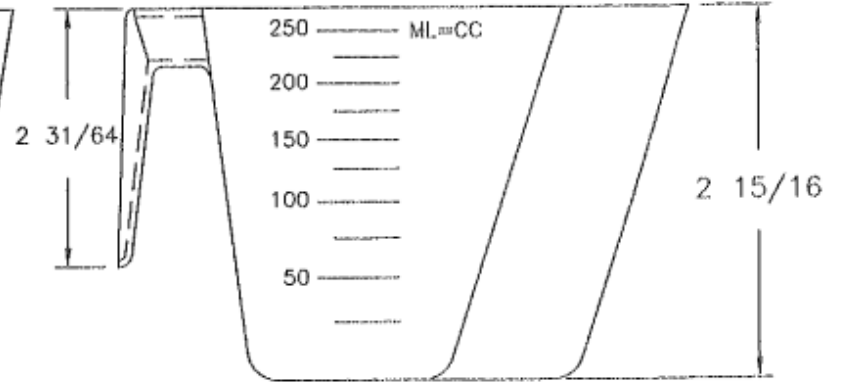
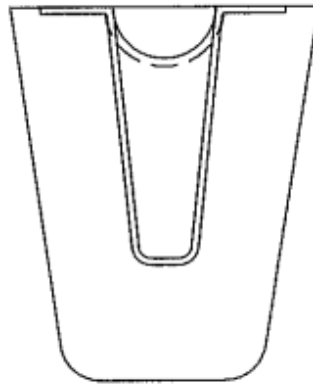
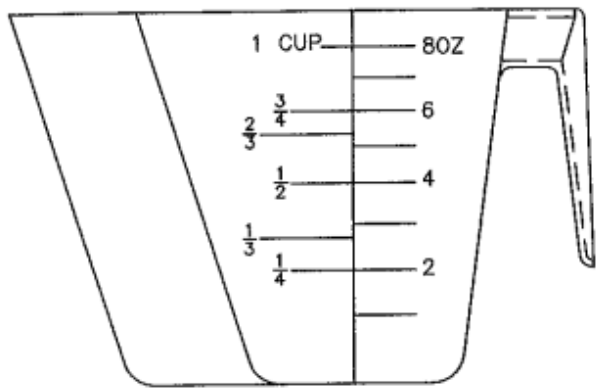
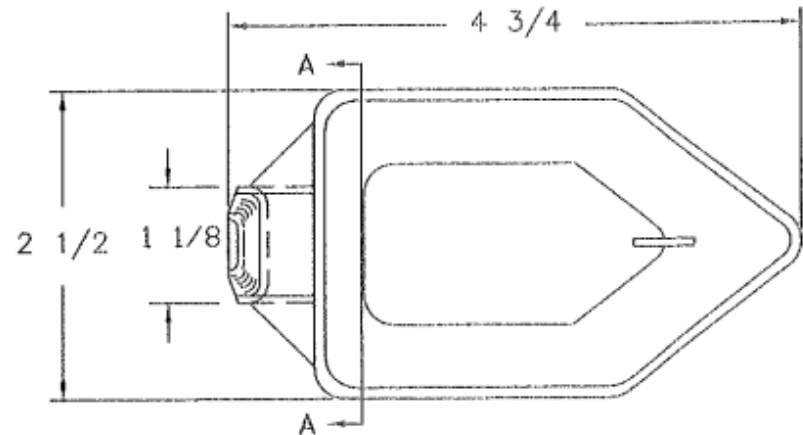


# MEASUREX STANDARD



A-A



## SPECIFICATIONS

- 1 MATERIAL: POLYPROPYLENE
- 2 MATERIAL: MEETS F.D.A. APPROVAL: 177.1520
- 3 VOLUME ACCURACY: +- 8%
- 4 WALL THICKNESS IS .045
- 5 NOT TO BE USED IN MICROWAVE OVENS.

### DISCLAIMER

THIS INFORMATION IS PROVIDED AS A GENERAL GUIDE, INCLUDING DIMENSIONS. IT IS THE CUSTOMER'S RESPONSIBILITIES TO SELECT THE PROPER CONTAINER FOR PRODUCT AND APPLICATION COMPATIBILITY.

DISTRIBUTED BY:



REF NO.:

DWG30530

DESCRIPTION:

8 oz Natural Measuring Cup