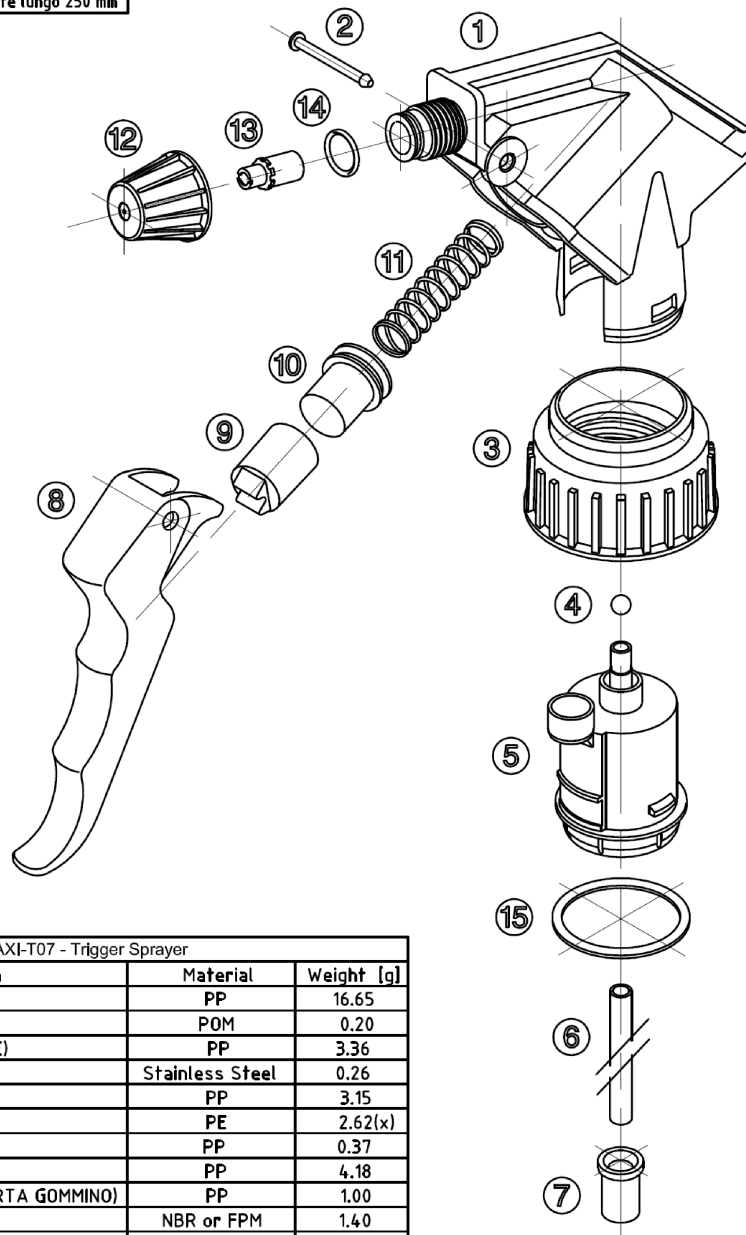


Notes:

(x) This weight refers to a dip tube 250 mm length
 Questo peso si riferisce ad un pescante lungo 250 mm



MAXI-T07 - Trigger Sprayer			
Pos.	Description	Material	Weight [g]
1	BODY (CORPO)	PP	16.65
2	RIVET (RIVETTO)	POM	0.20
3	CAP (GHIERA FLACONE)	PP	3.36
4	BALL VALVE (SFERA)	Stainless Steel	0.26
5	CONNECTION (CONO)	PP	3.15
6	DIP TUBE (CANNA)	PE	2.62(x)
7	FILTER (FILTRO)	PP	0.37
8	TRIGGER (LEVA)	PP	4.18
9	WASHER HOLDER (PORTA GOMMINO)	PP	1.00
10	WASHER (GOMMINO)	NBR or FPM	1.40
11	SPRING (MOLLA)	Stainless Steel	3.15
12	NOZZLE (GHIERA SPRUZZO)	PP	1.42
13	SPINNER VALVE (ROMPIGETTO)	POM	0.30
14	O-RING (GUARNIZIONE)	NBR or FPM	0.10
15	GASKET (GUARNIZIONE)	PE/EPE	0.12

DISCLAIMER

THIS INFORMATION IS PROVIDED AS A GENERAL GUIDE, INCLUDING DIMENSIONS. IT IS THE CUSTOMER'S RESPONSIBILITIES TO SELECT THE PROPER CONTAINER FOR PRODUCT AND APPLICATION COMPATIBILITY.

DISTRIBUTED BY:



REF NO.:

DWG10184

DESCRIPTION:

28-400 Maxi Trigger Sprayer w/ 8 1/8" Dip Tube