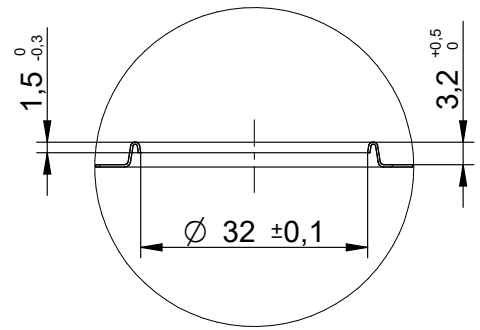



DETAIL "A" (SCALE 1:1)
HOLE 32 REL



DISCLAIMER
THIS INFORMATION IS PROVIDED AS A GENERAL GUIDE, INCLUDING DIMENSIONS. IT IS THE CUSTOMER'S RESPONSIBILITIES TO SELECT THE PROPER CONTAINER FOR PRODUCT AND APPLICATION COMPATIBILITY.

DISTRIBUTED BY: 	REF NO.: DWG30587
DESCRIPTION: 1 Gallon F-Style Can, Unlined, 32 mm REL Opening	