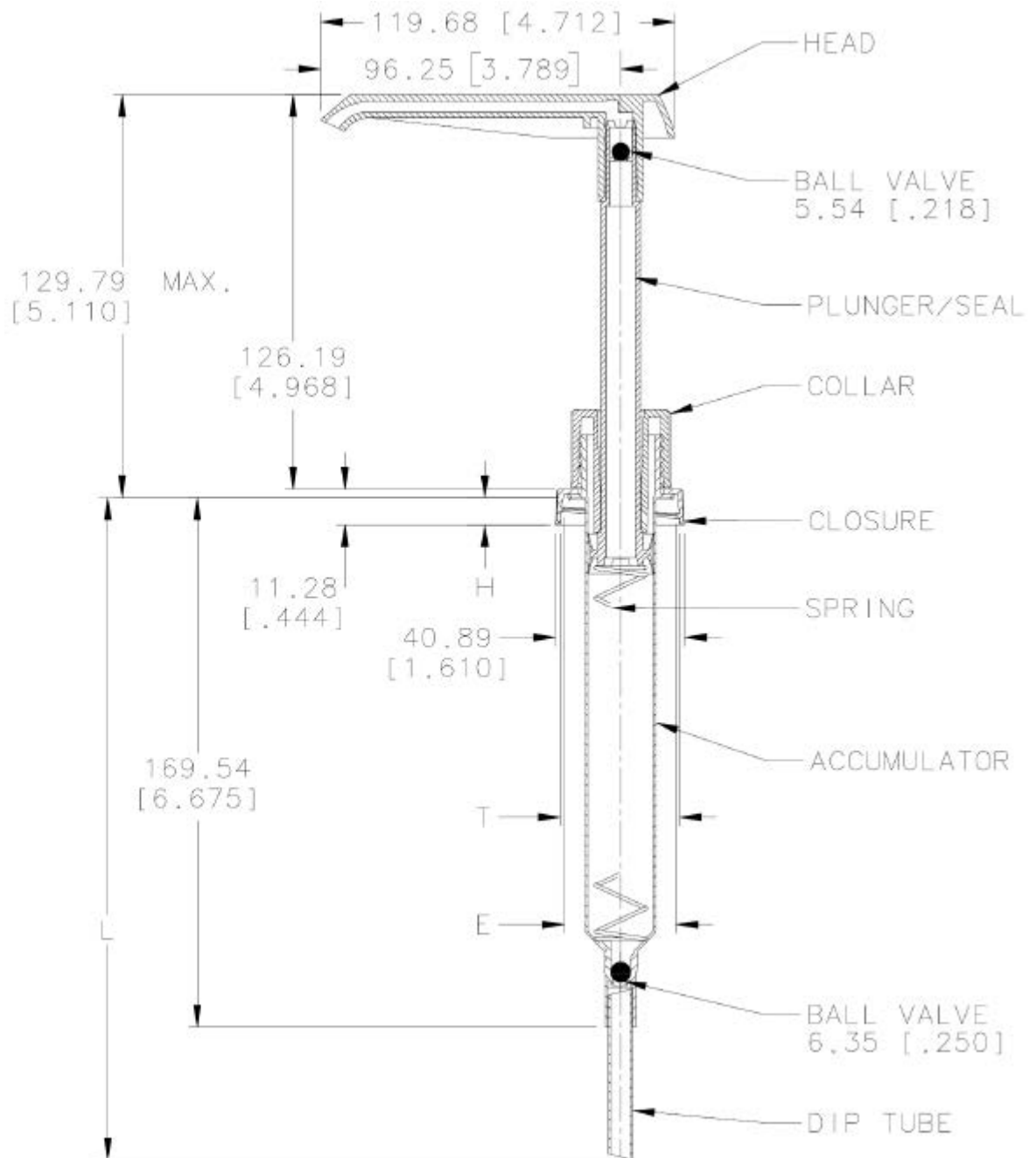


"UNCONTROLLED"

DIM	MIN	MAX
T	37.52 [1.477]	37.87 [1.491]
E	35.12 [1.383]	35.48 [1.397]
H	8.92 [.351]	9.68 [.381]



DISCLAIMER

THIS INFORMATION IS PROVIDED AS A GENERAL GUIDE, INCLUDING DIMENSIONS. IT IS THE CUSTOMER'S RESPONSIBILITIES TO SELECT THE PROPER CONTAINER FOR PRODUCT AND APPLICATION COMPATIBILITY.

DISTRIBUTED BY:



REF NO.:

DESCRIPTION: