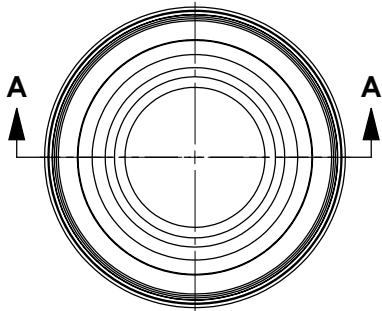
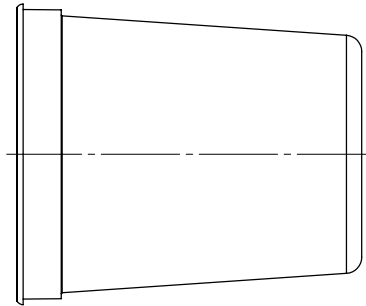


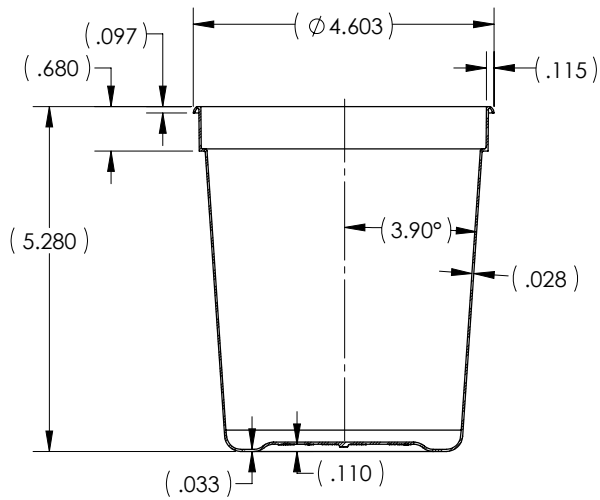
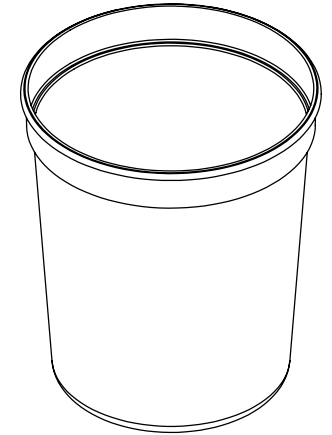
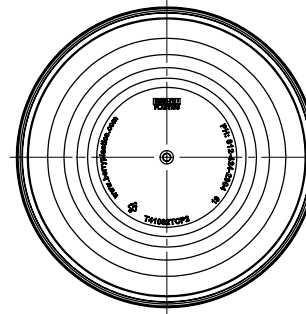
TOP VIEW



SIDE VIEW



BOTTOM VIEW



SECTION A-A

DISCLAIMER

THIS INFORMATION IS PROVIDED AS A GENERAL GUIDE, INCLUDING DIMENSIONS. IT IS THE CUSTOMER'S RESPONSIBILITIES TO SELECT THE PROPER CONTAINER FOR PRODUCT AND APPLICATION COMPATIBILITY.

DISTRIBUTED BY:



REF NO.:

DWG30863

DESCRIPTION:

32 oz White Co-Polymer Tub