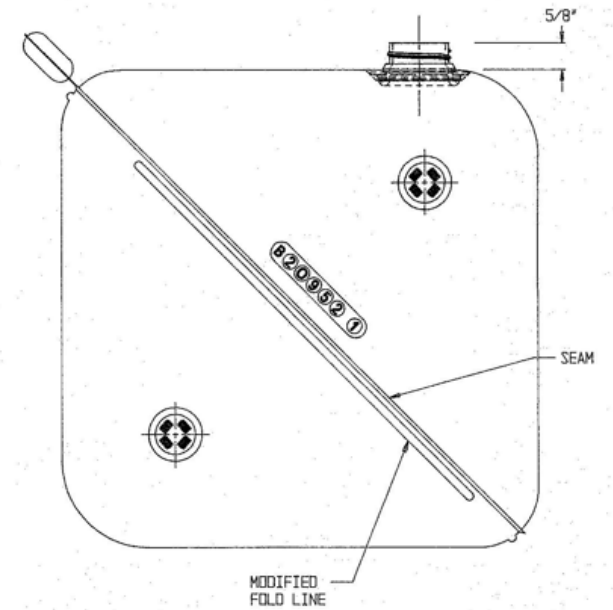
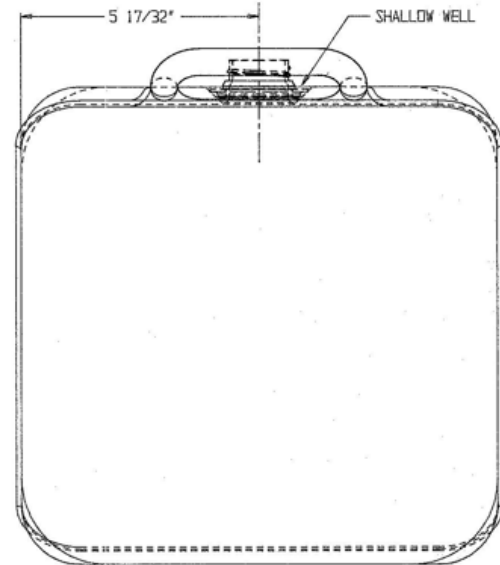
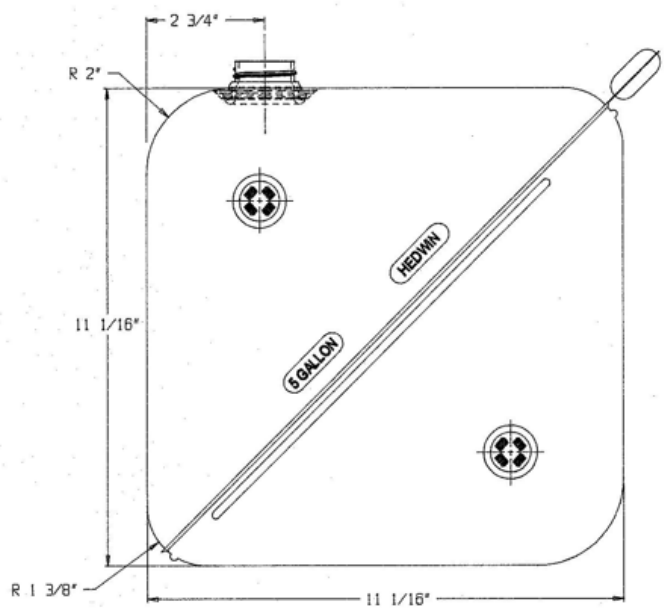
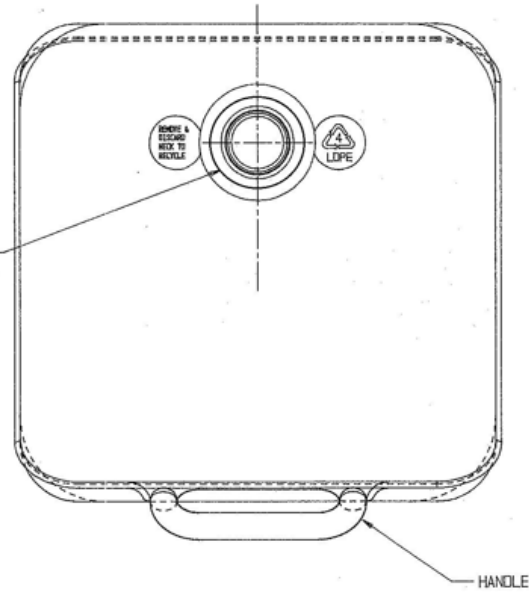


38mm THREADED TUBE WITH SNAP RING
IN SHALLOW WELL (C-15996)



DISCLAIMER

THIS INFORMATION IS PROVIDED AS A GENERAL GUIDE, INCLUDING DIMENSIONS. IT IS THE CUSTOMER'S RESPONSIBILITIES TO SELECT THE PROPER CONTAINER FOR PRODUCT AND APPLICATION COMPATIBILITY.

DISTRIBUTED BY:



REF NO.:

DWG31000

DESCRIPTION:

20 Liter Natural LDPE Cubitainer, 38 mm Neck