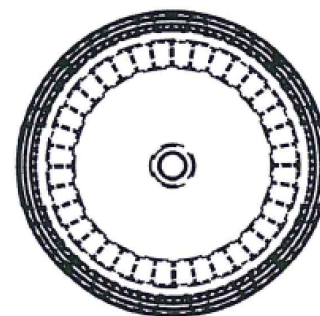
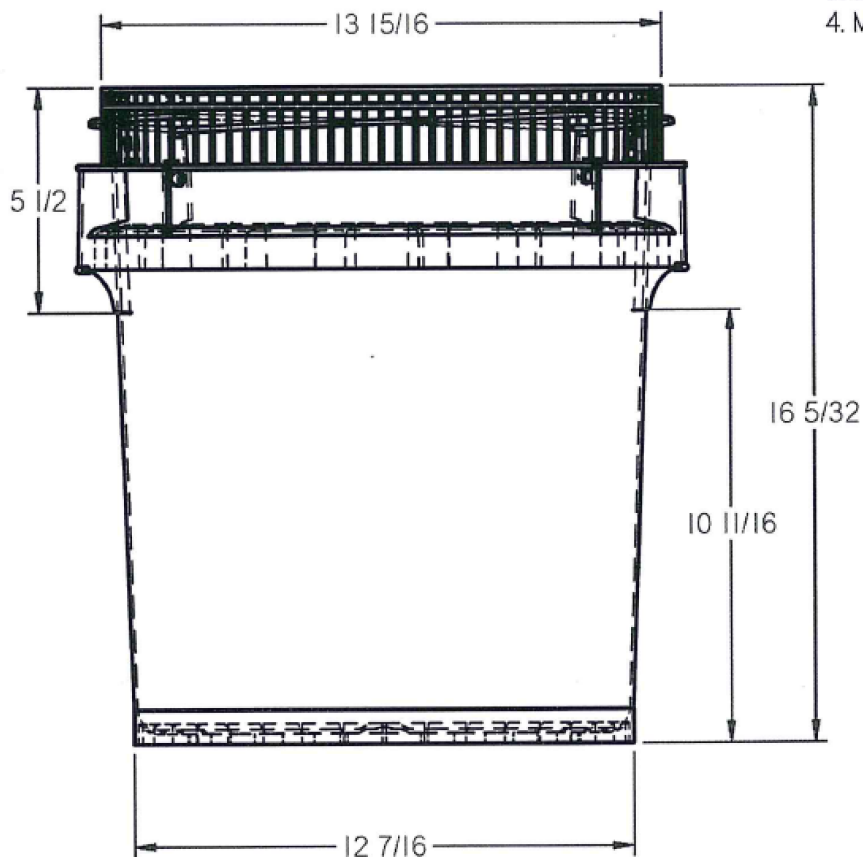


NOTES:

1. MATERIAL = HDPE
2. WEIGHT= 1.725 GRAMS
3. MAXIMUM VOLUME WITH COVER= 7.7 Gallons
4. MATERIAL= HDPE



**pipeline Packaging** 30310 Emerald Valley Pkwy  
Glenwillow, OH 44139

PPC ITEM NUMBER: 52435      SKU: 01-05-020-00092

DRAWN BY: -      CHECKED BY: -      DATE: 11/20/2018

DESCRIPTION: 7.7-10.7 Gal HDPE Cover Pail      COLOR: White

PART MATERIAL: -      VOLUME: -      WEIGHT: -

DWG NO.: -      DWG SIZE: A      SHEET NO: 1 of 1      REV: -

**PROPRIETARY AND CONFIDENTIAL**

THE INFORMATION CONTAINED IN THIS DRAWING IS THE SOLE PROPERTY OF PIPELINE PACKAGING. ANY REPRODUCTION IN PART OR AS A WHOLE WITHOUT THE WRITTEN PERMISSION OF PIPELINE PACKAGING IS PROHIBITED.

**UNLESS OTHERWISE SPECIFIED:**

UNITS OF MEASURE: Inches

TOLERANCES: Specified in drawing