



Engineering Specification

CAVITY 79 PART NUMBER: 205879

Long Skirt Tear-Tab Lid with Gasket

SPECIFICATIONS

Top Outer Diameter: 12.115" +/- .005"
 Top Out of Round: 1/8" max
 Height: 1.275"
 Wall Thickness: .090"
 Weight: 295 grams

COMPONENTS

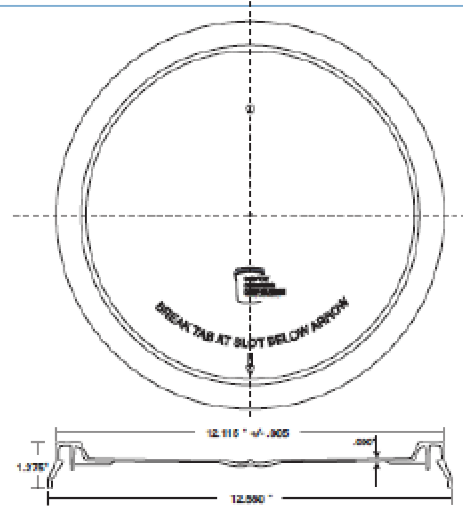
Resin: Prime High Density Polyethylene (HDPE)
 Color: Per customer spec
 Gasket: PVC or EPDM

STANDARD PACKAGING

168 per pack (12 stacks of 14 each).
 Trays on top and bottom with stretch wrap.
 Applied label shows Part Number and Color, Date,
 Packaging Quantity, Shift.
 Package Dimensions: 37 1/2" x 50" x 12"
 Weight: 115 lbs. Bulk Density: 5.04 lbs/cubic ft.

CORRESPONDING PAILS

Part #	Description
203105	3.5 Gallon Pail
203106	3.9 Gallon Pail
205112	Short 5 Gallon Pail
205120	5 Gallon 70 mil Pail
205122	5 Gallon Standard Pail
205140	5 Gallon Pail
206146	6 Gallon Pail
205148	20 Liter Pail



PRINT SPECIFICATIONS

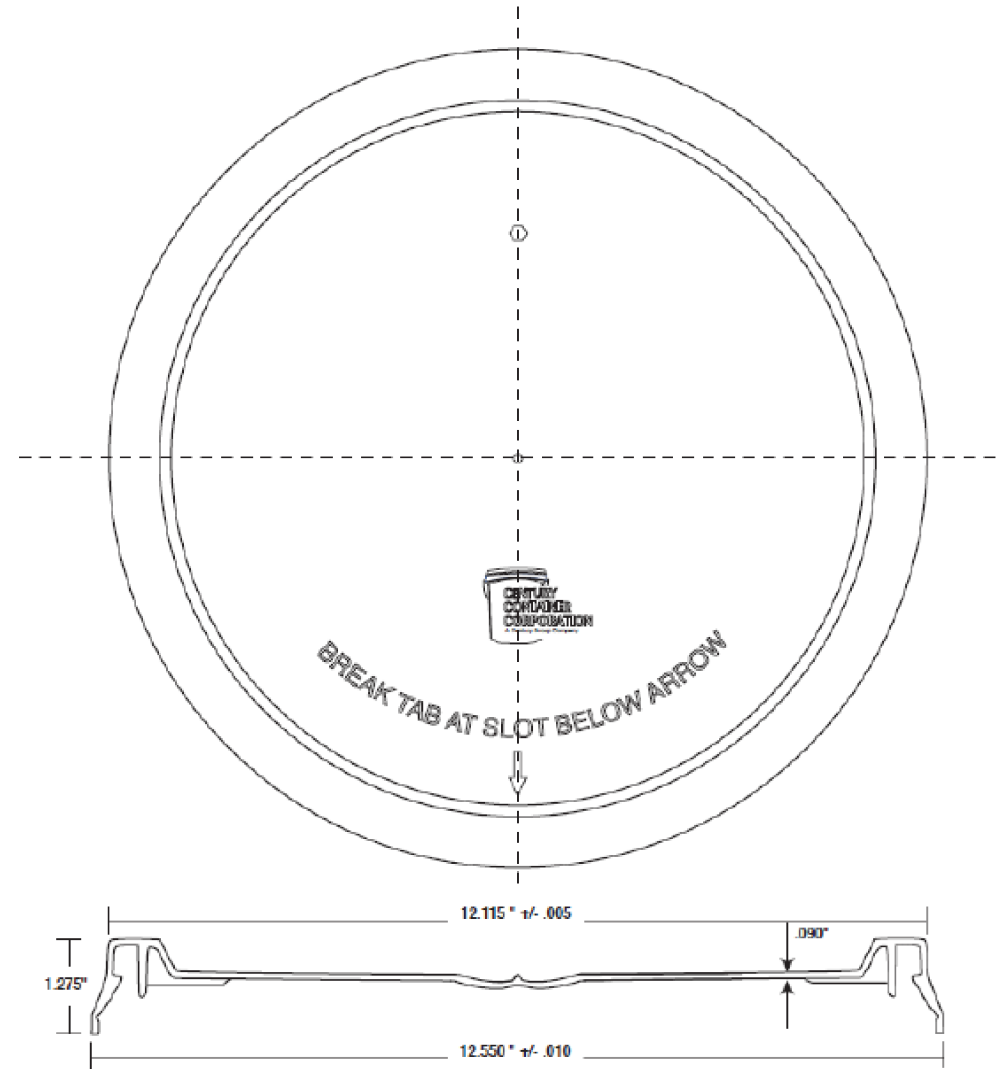
N/A

OPTIONS

FDA 21 CFR 177.1520(c)3.2(a)
 European Union 2002/72 EC

LID OPTIONS

Rieke Spout
 Rieke Jr.
 Tint Plug



Pipeline Packaging

30310 Emerald Valley Pkwy
 Glenwillow, OH 44139

PPC ITEM NUMBER:

52933

SKU:

01-05-020-00126

DRAWN BY:

CHECKED BY:

DATE:

11/26/2018

DESCRIPTION:

3.9 Gal HDPE Black Cover Pail

COLOR:

-

PART MATERIAL:

VOLUME:

WEIGHT:

DWG NO.:

DWG SIZE:

SHEET NO:

REV:

A

1 of 1

-

PROPRIETARY AND CONFIDENTIAL

THE INFORMATION CONTAINED IN THIS DRAWING IS THE SOLE PROPERTY OF PIPELINE PACKAGING. ANY REPRODUCTION IN PART OR AS A WHOLE WITHOUT THE WRITTEN PERMISSION OF PIPELINE PACKAGING IS PROHIBITED.

UNLESS OTHERWISE SPECIFIED:

UNITS OF MEASURE: Inches

TOLERANCES: Specified in drawing