

4.25-Gallon Square Container with EZ Cover®

Multiple Uses

Dry Products

Product Codes

Container: **S427**

Description: 4.25-gallon square can

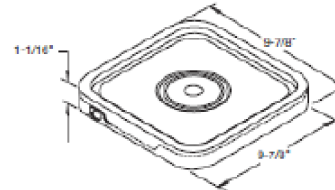
Cover: **STDR**

Description: Tamper-evident, square EZ Cover® with Ring Pull™

Features

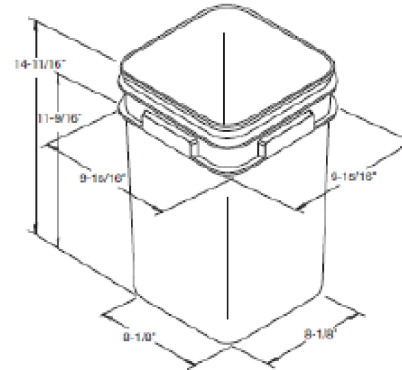
- Built in hand grips
- Gauge: 65 mil.
- Nominal capacity: 4.25 USG / 16.0 L
- Stack performance: 175 lbs.*
- Tare weights: Body: 1.50 lbs. / .68 kgs.
- Cover: .37 lbs. / .17 kgs.

Note: *Ratings will be reduced with uneven load distribution.



Specifications with Cover

- Dimensions: 9-15/16" X 9-15/16" X 14-3/4"H
- Maximum capacity: 4.4 USG / 16.6 L
- Tare weight: 1.87 lbs. / .85 kgs.



Colors

- Standard: White, Black and Natural
- Custom: Available at manufacturer's discretion

Decorating Options

- Silk - Screening 5"W X 8-1/2"H
- Four or six" color offset printing
- Print area: 5"W X 8-1/2"H on each panel
- Sleeve or pressure sensitive labeling

Note: *Where available

Shipping Data

	Bodies	Covers
Qty. per pallet:	240	2,304 (24 boxes of 96)
Gross Weight (lbs./kgs.)**:	360/163.2	852.5/391.7
Den. (lbs./C.F./kgs./m3):	6.0/96.5	8.0/129.9
Length (in./cm.):	51.2/130	51/129.5
Width (in./cm.):	42/106.7	41/104.1
Height (in./cm.):	48/121.9	89/223.6
Estimated truckload quantity of 11,040 bodies and covers***		

Filed Containers

60 (20 per layer / 3 layers high)
Pallet height: 48.7"

Notes: *Bulk pack also available
**Weight does not include pallet/packaging
***Truckload quantity based on 53' trailer

Optional Carrying Handle

Materials

- FDA approved materials
- Resin: Body: High-Density Polyethylene (HDPE) or Clear Polypropylene (PP)
- Cover: High-Density Polyethylene (HDPE)
- MSDS Sheets available upon request



Pipeline Packaging

30310 Emerald Valley Pkwy
Glenwillow, OH 44139

PPC ITEM NUMBER: 52405		SKU: 01-05-020-00204	
DRAWN BY: -		CHECKED BY: -	
		DATE: 11/26/2018	
DESCRIPTION: 4.25 Gal HDPE White Cover Pail		COLOR: -	
PART MATERIAL: -		VOLUME: -	
		WEIGHT: -	
DWG NO.: -		DWG SIZE: A	
		SHEET NO: 1 of 1	
		REV: -	

PROPRIETARY AND CONFIDENTIAL

THE INFORMATION CONTAINED IN THIS DRAWING IS THE SOLE PROPERTY OF PIPELINE PACKAGING. ANY REPRODUCTION IN PART OR AS A WHOLE WITHOUT THE WRITTEN PERMISSION OF PIPELINE PACKAGING IS PROHIBITED.

UNLESS OTHERWISE SPECIFIED:

- UNITS OF MEASURE: Inches
- TOLERANCES: Specified in drawing