

4-Gallon Square Container with EZ Cover®

Multiple Uses

Dry Products

Product Codes

Container: **S048**

Description: 4-gallon square can

Cover: **STDR**

Description: Tamper-evident, square EZ Cover® with Ring Pull™

Features

Built in hand grips
 Gauge: 80 mil.
 Nominal capacity: 4.0 USG / 15.0 L
 Stack performance: 240 lbs.*
 Tare weights: Body: 1.62 lbs. / .73 kgs.
 Cover: .37 lbs. / .17 kgs.

Note: *Ratings will be reduced with uneven load distribution.

Specifications with Cover

Dimensions: 9-15/16" X 9-15/16" X 13-1/4"H
 Maximum capacity: 4.1 USG / 15.5 L
 Tare weight: 1.99 lbs. / .90 kgs.

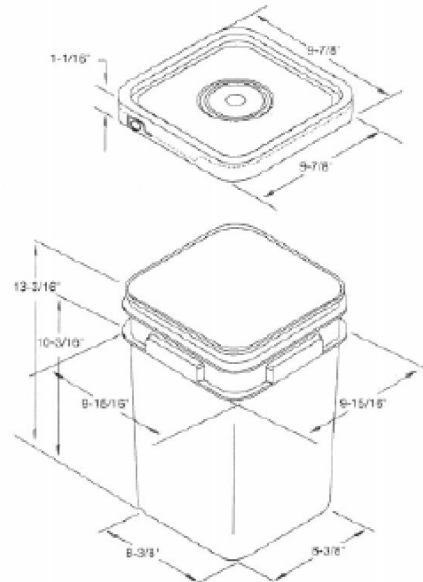
Colors

Standard: White, Black and Natural
 Custom: Available at manufacturer's discretion

Decorating Options

Silk-Screen: 5"L X 7-1/2"H
 Four or six* color offset printing
 Print area: 5"W X 8"H on each panel
 Wraparound print area: 32.4"W X 8"H
 Sleeve or pressure sensitive labeling

Note: *Where available



Shipping Data

	Bodies	Covers	Filled Containers
Qty. per pallet:	280	2,304 (24 boxes of 96)*	60 (20 per layer / 3 layers high)
Gross Weight (lbs./kgs.)**:	453.6/204.4	852.5/391.7	Pallet height: 44"
Den. (lbs./C.F./kgs./m3):	7.4/118.2	8.0/129.9	
Length (in./cm.):	52.5/133.4	51/129.5	
Width (in./cm.):	41/104.1	41/104.1	
Height (in./cm.):	49/124.5	89/223.6	
Estimated truckload quantity of 12,320 bodies and covers***			

Notes: *Bulk pack also available

**Weight does not include pallet / packaging

***Truckload quantity based on 53' trailer

Optional carrying handles

Materials

FDA approved materials
 Resin: Body: High-Density Polyethylene (HDPE)
 Cover: High-Density Polyethylene (HDPE)
 MSDS Sheets available upon request



Pipeline Packaging

30310 Emerald Valley Pkwy
 Glenwillow, OH 44139

PPC ITEM NUMBER: 52393		SKU: 01-05-020-00205	
DRAWN BY: -	CHECKED BY: -	DATE: 11/26/2018	
DESCRIPTION: 4 Gal HDPE Black Cover Pail		COLOR: -	
PART MATERIAL: -	VOLUME: -	WEIGHT: -	
DWG NO.: -	DWG SIZE: A	SHEET NO: 1 of 1	REV: -

PROPRIETARY AND CONFIDENTIAL

THE INFORMATION CONTAINED IN THIS DRAWING IS THE SOLE PROPERTY OF PIPELINE PACKAGING. ANY REPRODUCTION IN PART OR AS A WHOLE WITHOUT THE WRITTEN PERMISSION OF PIPELINE PACKAGING IS PROHIBITED.

UNLESS OTHERWISE SPECIFIED:

UNITS OF MEASURE: Inches

TOLERANCES: Specified in drawing