

1-Gallon Round Container with FIG EZ Cover®

Multiple Uses

Dry Products
Liquid Products

Product Codes

Container: **R015**
Description: 1-gallon round can

Cover: T1FZ

Description: Tamper-evident, round EZ Cover®
flowed-in gasket

Features

Gauge: 50 mil.
Nominal capacity: 1 USG / 3.8 L
Stack performance: 150 lbs.*
Tare weights: Body: .44 lbs. / .20 kgs.
Cover: .20 lbs. / .09 kgs.

Note: *Ratings will be reduced with uneven load distribution.

Specifications with Cover

Dimensions: 8-1/4"D X 7-5/16"H
Maximum capacity: 1.1 USG / 4.2 L
Tare weight: .64 lbs. / .29 kgs.

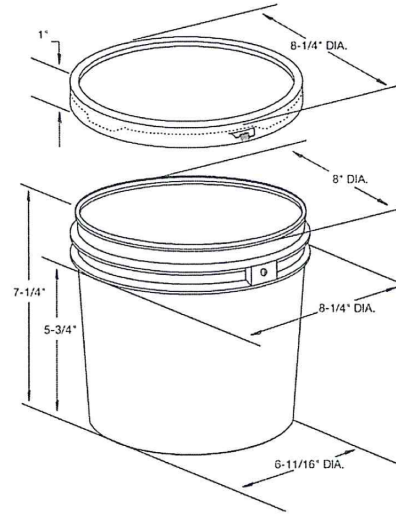
Colors

Standard: White, Black and Natural
Custom: Available at manufacturer's discretion

Decorating Options

Silk - Screening: 20-3/4"W X 4-1/2"H
Four or six* color offset printing
Print area: 22-3/4"W X 4-1/2"H
Sleeve or pressure sensitive labeling

Note: *Where available



Shipping Data


	Bodies	Covers	Filled Containers
Qty. per pallet:	450	3,000 (20 boxes of 150)	180 (30 per layer/6 layers high)
Gross Weight (lbs./kgs.):*	198/90	600/270	Pallet height: 48"
Den. (lbs./C.F./kgs./m3):	5.8/92.6	6.5/103.1	
Length (in./cm.):	49.5/125.7	50.5/128.3	
Width (in./cm.):	41.3/104.9	42.5/107.9	
Height (in./cm.):	29/73.7	74.5/189.2	
Estimated truckload quantity of 25,650 bodies and covers**			

Notes: *Weight does not include pallet/packaging
**Truckload quantity based on 53' trailer

Materials

FDA approved materials
Resin: Body: High-Density Polyethylene (HDPE)
Cover: High-Density Polyethylene (HDPE)
Hot Melt Synthetic Resin – Flowed-in Gasket
MSDS Sheets available upon request

Optional Carrying Handles

 **Pipeline Packaging** 30310 Emerald Valley Pkwy
Glenwillow, OH 44139

PPC ITEM NUMBER: 52401	SKU: 01-05-020-00282
DRAWN BY: -	CHECKED BY: -
DATE: 3/12/2020	

DESCRIPTION: 1 Gal White HDPE Cover Tear Tab w/ Gasket			
PART MATERIAL: -	VOLUME: -	WEIGHT: -	
DWG NO.: -	DWG SIZE: A	SHEET NO: 1 of 1	REV: -

PROPRIETARY AND CONFIDENTIAL

THE INFORMATION CONTAINED IN THIS DRAWING IS THE SOLE PROPERTY OF PIPELINE PACKAGING. ANY REPRODUCTION IN PART OR AS A WHOLE WITHOUT THE WRITTEN PERMISSION OF PIPELINE PACKAGING IS PROHIBITED.

UNLESS OTHERWISE SPECIFIED:

UNITS OF MEASURE: Inches

TOLERANCES: Specified in drawing