

UN Certification: 1H2/Y6/S

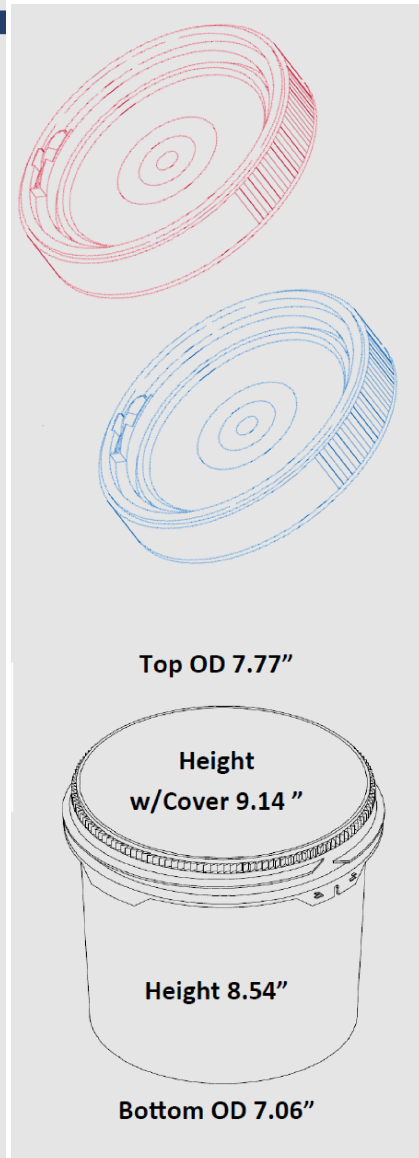


Cover Specification | Part No. 600052

Origin of Materials	100% US Manufactured
Material	High Density Polyethylene (HDPE)
Mfg. Method	Injection Molding
Weight	.321 lbs / 148g
Height	1.71"
Min Wall Thickness	.050"
Bottom OD	8.90"
Gasket	Neoprene / Available w/o Gasket
Standard Color	White, Red 186, Blue 300 <i>Please inquire about custom colors</i>
Case Quantity	90 per case / 720 per pallet

Pail Specification | Part No. 500013

Origin of Materials	100% US Manufactured
Material	High Density Polyethylene (HDPE)
Mfg. Method	Injection Molding / Plastic Handle
Weight	.69 lbs / 313 g
Min. Wall Thickness	.062"
Exterior Height	8.54" With Cover 9.14"
Top Inside Diameter	7.77"
Bottom Outside Diameter	7.06"
Shipping Quantity	20 Pails and Covers Per Case 400 Units per Pallet 14,400 Units per Truckload
Standard Color	White <i>Please inquire about custom colors</i>
Print Area	5" x 22.75"
Top Load Rating	175 lbs



Pipeline Packaging 30310 Emerald Valley Pkwy
Glenwillow, OH 44139

PPC ITEM NUMBER: 52333	SKU: 01-05-020-00310
DRAWN BY: -	CHECKED BY: -
DATE: 3/12/2020	

DESCRIPTION: 1.25 Gal White HDPE Screw Top Cover UN Life Latch			
PART MATERIAL: -	VOLUME: -	WEIGHT: -	
DWG NO.: -	DWG SIZE: A	SHEET NO: 1 of 1	REV: -

PROPRIETARY AND CONFIDENTIAL

THE INFORMATION CONTAINED IN THIS DRAWING IS THE SOLE PROPERTY OF PIPELINE PACKAGING. ANY REPRODUCTION IN PART OR AS A WHOLE WITHOUT THE WRITTEN PERMISSION OF PIPELINE PACKAGING IS PROHIBITED.

UNLESS OTHERWISE SPECIFIED:

UNITS OF MEASURE: Inches
TOLERANCES: Specified in drawing