

5-Liter EZ STOR® with Gasketless Hinged Cover

Multiple Uses

Dry Products
Liquid Products

Product Codes

Container: **E145**
Description: 5-Liter rectangular can

Cover: **E2AH**

Description: Gasketless, tamper-evident, hinged, EZ open & close cover with Ring Pull®

Features

Gauge: 50 mil.
Nominal capacity: 1.3 USG / 5 L
Stack performance: 125 lbs.*
Tare weights: Body: .46 lbs. / .21 kgs.
Tare weights: Cover: .14 lbs. / .06 kgs.
Note: *Ratings will be reduced with uneven load distribution.

Specifications with Cover

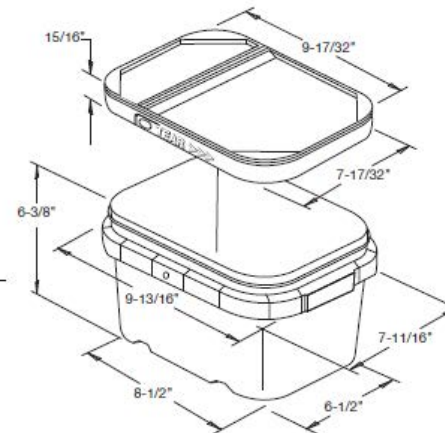
Dimensions: 9-13/16"L X 7-11/16"W X 6-7/16"H
Maximum capacity: 1.37 USG / 5.2 L
Tare weight: .60 lbs. / .27 kgs.

Colors

Standard: White, Black, Natural and Clear
Custom: Available at manufacturer's discretion

Decorating Options*

Pressure sensitive labeling
Note: *See EZ Stor Decoration Summary for further details.



Shipping Data

	Bodies	Covers
Qty. per pallet:	600	1,200
Gross Weight (lbs./kgs.):*	276/126	168/72
Den. (lbs./C.F./kgs./m3):	4.9/78	6.6/100.1
Length (in./cm.):	48/122	48/122
Width (in./cm.):	40/102	40/102
Height (in./cm.):	51/130	22.7/57.8
Estimated truckload quantity of 26,400 bodies and covers**		

Filled Containers

168 (24 per layer/7 layers high)
Pallet height: 48.882"

Notes: *Weight does not include pallet / packaging
**Truckload quantity based on 53' trailer

Materials

FDA and HPB approved materials
Resin: Body: Polypropylene (PP)
or Clear Polypropylene (PP)
Cover: Polypropylene (PP)
MSDS Sheets available upon request

Optional Carrying Handle



30310 Emerald Valley Pkwy
Glenwillow, OH 44139

PPC ITEM NUMBER: 51399		SKU: 01-05-048-00001	
DRAWN BY: -	CHECKED BY: -	DATE: 11/19/2018	
DESCRIPTION: 1.32 Gal HDPE Open Head Pail		COLOR: White	
PART MATERIAL: HDPE	VOLUME: 1.32 Gal	WEIGHT: -	
DWG NO.: -	DWG SIZE: A	SHEET NO: 1 of 1	REV: -

PROPRIETARY AND CONFIDENTIAL

THE INFORMATION CONTAINED IN THIS DRAWING IS THE SOLE PROPERTY OF PIPELINE PACKAGING. ANY REPRODUCTION IN PART OR AS A WHOLE WITHOUT THE WRITTEN PERMISSION OF PIPELINE PACKAGING IS PROHIBITED.

UNLESS OTHERWISE SPECIFIED:

UNITS OF MEASURE: Inches

TOLERANCES: Specified in drawing