

## 5.0-Gallon UN Pail with UN Cover

Note: \*Rated for Liquids Y1.5/30 and Solids Y43/S for Packing Group II and III (USA and Canada)

**Multiple Uses**    **Product Codes**  
 Dry Products      Pail: 5500 Series, 55100  
 Liquid Products    Description: 5.0-gallon UN Pail

Cover: 2500 Series  
 Description: UN Short Skirt Cover  
 Note: \*Multiple fitting and venting options available

### Features

Gauge: 90 mil  
 Nominal capacity: 5.0 USG / 19.0L  
 Stack performance: 350 lbs.\*  
 Tare weights:    Body: 2.08 lbs. / 948 gr.  
                           Cover: .77 lbs. / 350 gr.

Note: \*Ratings will be reduced with uneven load distribution.

### Specifications with Cover

Dimensions: 12 5/16"D. X 14 11/16"H  
 Maximum capacity: 5.3 USG / 21.2 L  
 Tare weight: 2.85 lbs. / 1.29 kgs.

### Colors

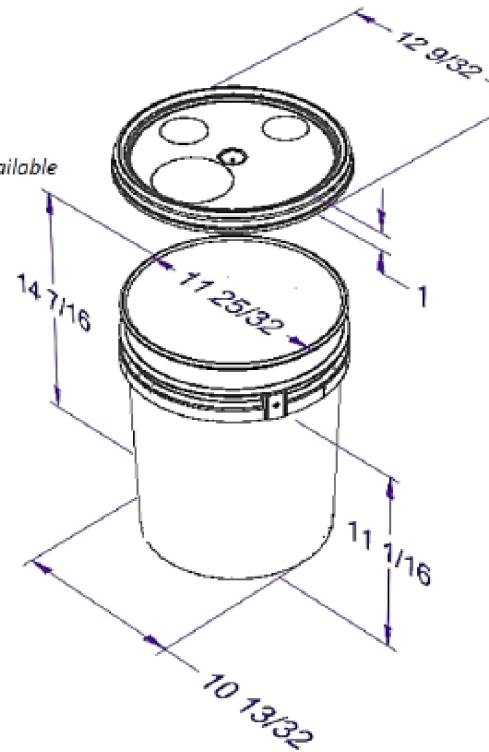
Standard: White, Black and Natural  
 Custom: Available at manufacturer's discretion

### Decorating Options

Four color offset printing  
 Print area: 33"W X 8-1/2"H  
 Sleeve or pressure sensitive labeling

### Shipping Data

	<b>Bodies</b>	<b>Covers</b>
Qty. per pallet/carton:	240*	1,200*
Gross Weight (lbs./kgs.)**:	499.2/226	924/419
Length (in./cm.):	48/122	49 1/2"/125.7
Width (in./cm.):	36/91.4	40/101.6
Height (in./cm.):	45/114	97.5/247.6
Approximate truckload quantity of 5,520 pails and covers***		



### Filled Containers

36 (12 per layer/3 layers high)  
 Pallet height: 47"

### Notes:

\*Quantity can vary based on customer request  
 \*\*Weight does not include pallet/packaging  
 \*\*\*Based on 53' trailer and full pallet quantities

### Materials

FDA approved materials  
 Resin: Body: High-Density Polyethylene (HDPE) Cover: High-Density Polyethylene (HDPE)  
 MSDS Sheets available upon request

Optional Carrying Handle – Wire or Plastic



**Pipeline Packaging**

30310 Emerald Valley Pkwy  
 Glenwillow, OH 44139

PPC ITEM NUMBER: 57496		SKU: 01-05-048-00062	
DRAWN BY: -	CHECKED BY: -	DATE: 11/27/2018	
DESCRIPTION: 5 Gal HDPE Natural Open Head Pail		COLOR: -	
PART MATERIAL: -	VOLUME: -	WEIGHT: -	
DWG NO.: -	DWG SIZE: A	SHEET NO: 1 of 1	REV: -

### PROPRIETARY AND CONFIDENTIAL

THE INFORMATION CONTAINED IN THIS DRAWING IS THE SOLE PROPERTY OF PIPELINE PACKAGING. ANY REPRODUCTION IN PART OR AS A WHOLE WITHOUT THE WRITTEN PERMISSION OF PIPELINE PACKAGING IS PROHIBITED.

### UNLESS OTHERWISE SPECIFIED:

UNITS OF MEASURE: Inches  
 TOLERANCES: Specified in drawing