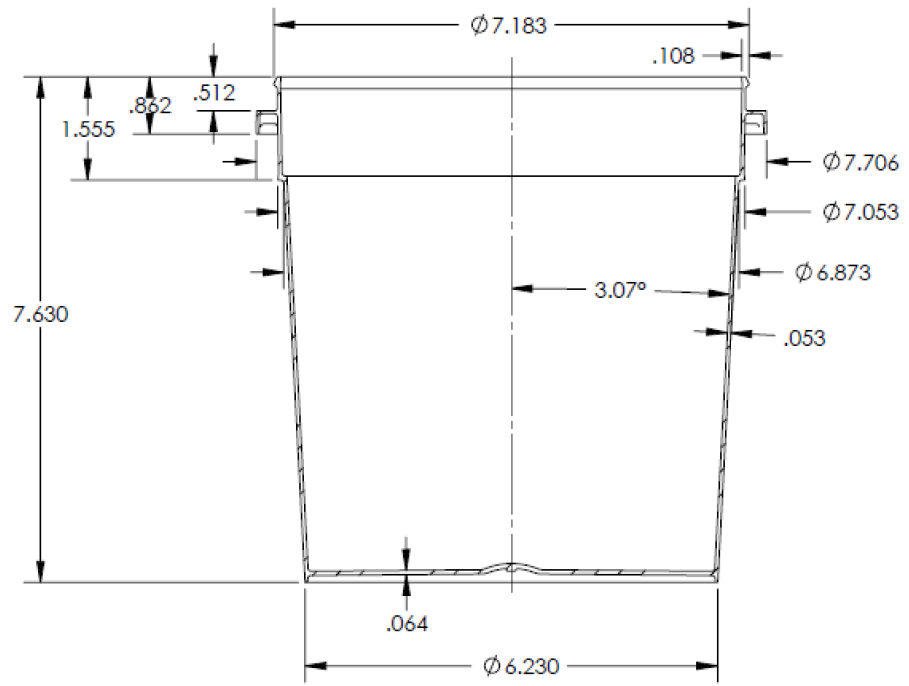


PART DATA	
MATERIAL	HDPE
WEIGHT (GRAMS)	180.2
VOLUME (CUBIC IN)	252.0
OVERFLOW CAPACITY(OZ)	139.6
OVERFLOW CAPACITY(CC)	4129.5
MEDIAN PRINT CIRCUMFERENCE	20.58
PRINT CIRCUMFERENCE (WITH 3/16 GAP)	6.551
PRINTING HEIGHT (MAX)	5.786



SECTION A-A
SCALE 1 : 2

Pipeline Packaging 30310 Emerald Valley Pkwy
Glenwillow, OH 44139

PPC ITEM NUMBER: 51111	SKU: 01-05-048-00074
DRAWN BY: -	CHECKED BY: - DATE: 11/19/2018

DESCRIPTION: 1 Gal HDPE Open Head Pail	COLOR: White
PART MATERIAL: HDPE	VOLUME: 1 Gal
DWG NO.: -	DWG SIZE: A
SHEET NO: 1 of 1	REV: -

PROPRIETARY AND CONFIDENTIAL
THE INFORMATION CONTAINED IN THIS DRAWING IS THE SOLE PROPERTY OF PIPELINE PACKAGING. ANY REPRODUCTION IN PART OR AS A WHOLE WITHOUT THE WRITTEN PERMISSION OF PIPELINE PACKAGING IS PROHIBITED.

UNLESS OTHERWISE SPECIFIED:
UNITS OF MEASURE: Inches
TOLERANCES: Specified in drawing