

2.1-Gallon Square Container with EZ Cover®

Multiple Uses

Dry Products

Product Codes

Container: **S026**
Description: 2.1-gallon square can

Cover: **STDR**

Description: Tamper-evident, square EZ Cover® with Ring Pull™

Features

Built in hand grips
Gauge: 60 mil.
Nominal capacity: 2.1 USG / 8.0 L
Stack performance: 150 lbs.*
Tare weights: Body: .81 lbs. / .37 kgs.
Cover: .37 lbs. / .17 kgs.

Note: *Ratings will be reduced with uneven load distribution.

Specifications with Cover

Dimensions: 9-15/16" X 9-15/16" X 7-5/8"H
Maximum capacity: 2.2 USG / 8.3 L
Tare weight: 1.18 lbs. / .54 kgs.

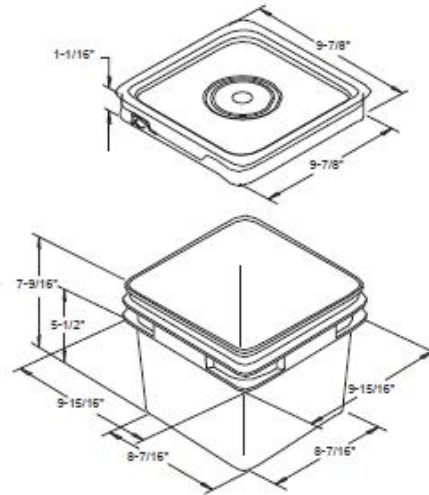
Colors

Standard: White, Black, Natural and Clear
Custom: Available at manufacturer's discretion

Decorating Options

Silk - Screening: 5"W X 3-1/2"H
Four or six* color offset printing
Print area: 4-1/2"W X 3-1/2"H
Sleeve or pressure sensitive labeling

Note: *Where available



Shipping Data

	Bodies	Covers
Qty. per pallet:	400	2,304 (24 boxes of 96)*
Gross Weight (lbs./kgs.)**:	324/148	852.5/391.7
Den. (lbs./C.F./kgs./m3):	6.0/97.2	8.0/129.9
Length (in./cm.):	51/129.5	51/129.5
Width (in./cm.):	41/104.1	41/104.1
Height (in./cm.):	44.5/113	89/223.6

Filled Containers

120 (20 per layer / 6 layers high)
Pallet height: 49.5"

Estimated truckload quantity of 16,000 bodies and covers***

Notes: *Bulk pack also available
**Weight does not include pallet/packaging
***Truckload quantity based on 53' trailer

Materials

FDA approved materials
Resin: Body: High-Density Polyethylene (HDPE)
or Clear Polypropylene (PP)
Cover: High-Density Polyethylene (HDPE)
MSDS Sheets available upon request

Optional Carrying Handle



Pipeline Packaging

30310 Emerald Valley Pkwy
Glenwillow, OH 44139

PPC ITEM NUMBER: 51359		SKU: 01-05-048-00077	
DRAWN BY: -		CHECKED BY: -	
		DATE: 11/19/2018	
DESCRIPTION: 2 Gal HDPE Open Head Pail		COLOR: White	
PART MATERIAL: HDPE		VOLUME: 2 Gal	
DWG NO.: -		WEIGHT: -	
		DWG SIZE: A	
		SHEET NO: 1 of 1	
		REV: -	

PROPRIETARY AND CONFIDENTIAL

THE INFORMATION CONTAINED IN THIS DRAWING IS THE SOLE PROPERTY OF PIPELINE PACKAGING. ANY REPRODUCTION IN PART OR AS A WHOLE WITHOUT THE WRITTEN PERMISSION OF PIPELINE PACKAGING IS PROHIBITED.

UNLESS OTHERWISE SPECIFIED:

UNITS OF MEASURE: Inches
TOLERANCES: Specified in drawing