

Multiple Uses

Dry Products
Liquid Products

Product Codes

Container: **R16**
Description: 1-gallon round high performance container

Cover: T1EG

Description: Tamper-evident, round cover with tubular gasket

Features

Gauge: 65 mil. *
Nominal capacity: 1 USG / 3.8 L
Stack performance: 200 lbs.*
Tare weights: Body: .485 lbs. / .22 kgs.
Cover: .22 lbs. / .10 kgs.

Note: *Ratings will be reduced with uneven load distribution.

Specifications with Cover

Dimensions: 8-1/4"D X 7-3/8"H
Maximum capacity: 1.1 USG / 4.2 L
Tare weight: .705 lbs. / .32 kgs.

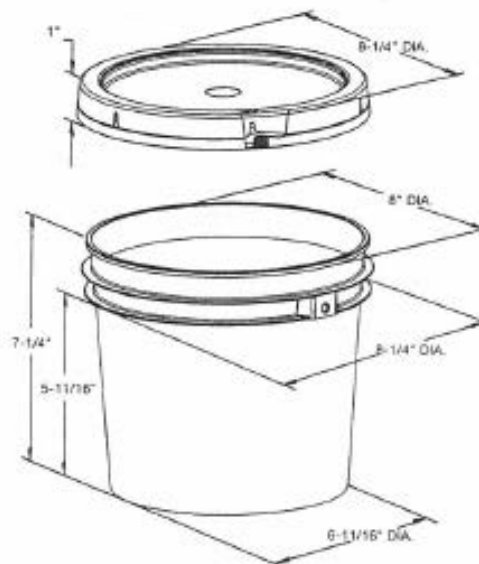
Colors

Standard: White, Black and Natural
Custom: Available at manufacturer's discretion

Decorating Options

Four or six* color offset printing
Print area: 22-3/4"W X 4-1/2"H
Sleeve or pressure sensitive labeling

Note: *Where available

**Shipping Data**

Qty. per pallet:
Gross Weight (lbs./kgs.):
Length (in./cm.):
Width (in./cm.):
Height (in./cm.):
Estimated truckload quantity of 21,000 bodies and covers**

Bodies

900 (3 packs of 300)
436.5/198
51.25/130.2
43/109.2
68.25/173.4

Covers

3,000 (5 packs of 600)
660/299
34.5/87.6
53/134.82
83.75/212.7

Filled Containers

180 (30 per layer/6 layers high)
Pallet height: 48"

Notes: *Weight does not include pallet/packaging

**Truckload quantity based on 53' trailer

Materials

FDA approved materials
Resin: Body: High-Density Polyethylene (HDPE)
Cover: High-Density Polyethylene (HDPE)
Styrene Butadiene Rubber (SBR) Gasket
MSDS Sheets available upon request

Optional Carrying Handle

Pipeline Packaging

30310 Emerald Valley Pkwy
Glenwillow, OH 44139

PPC ITEM NUMBER:

51938

SKU:

01-05-048-00088

DRAWN BY:

CHECKED BY:

DATE:

11/20/2018

DESCRIPTION:

1 Gal HDPE Open Head Pail

COLOR:

White

PART MATERIAL:

VOLUME:

WEIGHT:

DWG NO.:

DWG SIZE:

SHEET NO:

REV:

A

1 of 1

-

PROPRIETARY AND CONFIDENTIAL

THE INFORMATION CONTAINED IN THIS DRAWING IS THE SOLE PROPERTY OF PIPELINE PACKAGING. ANY REPRODUCTION IN PART OR AS A WHOLE WITHOUT THE WRITTEN PERMISSION OF PIPELINE PACKAGING IS PROHIBITED.

UNLESS OTHERWISE SPECIFIED:

UNITS OF MEASURE: Inches

TOLERANCES: Specified in drawing