

# 3-Gallon EZ STOR® Container with Hinged Cover

## Multiple Uses

Dry Products

## Product Codes

Container: **E037**

Description: 3-gallon rectangular can

Cover: **E4DH**

Description: Dry seal, tamper-evident, hinged, EZ open & close cover

## Features

Built in hand grips  
 Gauge: 65 mil.  
 Nominal capacity: 3.0 USG / 11.4 L  
 Stack performance: 150 lbs.\*  
 Tare weights: Body: 1.07 lbs. / .49 kgs.  
 Cover: .42 lbs. / .19 kgs.

Note: \*Ratings will be reduced with uneven load distribution.

## Specifications with Cover

Dimensions: 12"L X 9-15/16"W X 9-3/4"H  
 Maximum capacity: 3.25 USG / 12.3 L  
 Tare weight: 1.49 lbs. / .68 kgs.

## Colors

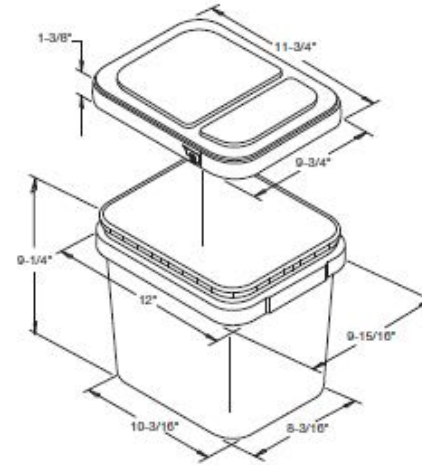
Standard: White, Black and Natural  
 Custom: Available at manufacturer's discretion

## Decorating Options\*

Four or six color offset printing\*\*  
 Sleeve or pressure sensitive labeling  
 NXT Graphics®

Note: \*See EZ Stor Decoration Summary for further details.

\*\*Where available.



## Shipping Data

	Bodies	Covers	Filled Containers
Qty. per pallet:	288	2,304 (32 boxes of 72)*	80 (16 per layer / 5 layers high)
Gross Weight (lbs./kgs.)**:	308/141	967.6/437.7	Pallet height: 53"
Den. (lbs./C.F./kgs./m3):	6.5/104.8	11.7/187.3	
Length (in./cm.):	48.0/121.9	47/119.4	
Width (in./cm.):	40.0/101.6	41/104.1	
Height (in./cm.):	42.8/108.6	74/188	
Estimated truckload quantity of 12,672 bodies and covers***			

Note: \*Bulkpack of 1120 also available

\*\*Weight does not include pallet / packaging

\*\*\*Truckload quantity based on 53' trailer

## Materials

FDA approved materials  
 Resin: Body: High Density Polyethylene (HDPE)  
 Cover: Polypropylene (PP)  
 MSDS Sheets available upon request

## Optional Carrying Handle



Pipeline Packaging

30310 Emerald Valley Pkwy  
 Glenwillow, OH 44139

PPC ITEM NUMBER: 51607		SKU: 01-05-048-00093	
DRAWN BY: -	CHECKED BY: -	DATE: 11/20/2018	
DESCRIPTION: 3 Gal HDPE Open Head Pail		COLOR: White	
PART MATERIAL: HDPE	VOLUME: 3 Gal	WEIGHT: -	
DWG NO.: -	DWG SIZE: A	SHEET NO: 1 of 1	REV: -

### PROPRIETARY AND CONFIDENTIAL

THE INFORMATION CONTAINED IN THIS DRAWING IS THE SOLE PROPERTY OF PIPELINE PACKAGING. ANY REPRODUCTION IN PART OR AS A WHOLE WITHOUT THE WRITTEN PERMISSION OF PIPELINE PACKAGING IS PROHIBITED.

### UNLESS OTHERWISE SPECIFIED:

UNITS OF MEASURE: Inches

TOLERANCES: Specified in drawing