

## 4.25-Gallon Square Container with EZ Cover®

**Multiple Uses**

Dry Products

**Product Codes**

Container: **S427**

Description: 4.25-gallon square can

Cover: **STDR**

Description: Tamper-evident, square EZ Cover® with Ring Pull™

**Features**

- Built in hand grips
- Gauge: 65 mil.
- Nominal capacity: 4.25 USG / 16.0 L
- Stack performance: 175 lbs.\*
- Tare weights: Body: 1.50 lbs. / .68 kgs.
- Cover: .37 lbs. / .17 kgs.

*Note: \*Ratings will be reduced with uneven load distribution.*

**Specifications with Cover**

- Dimensions: 9-15/16" X 9-15/16" X 14-3/4"H
- Maximum capacity: 4.4 USG / 16.6 L
- Tare weight: 1.87 lbs. / .85 kgs.

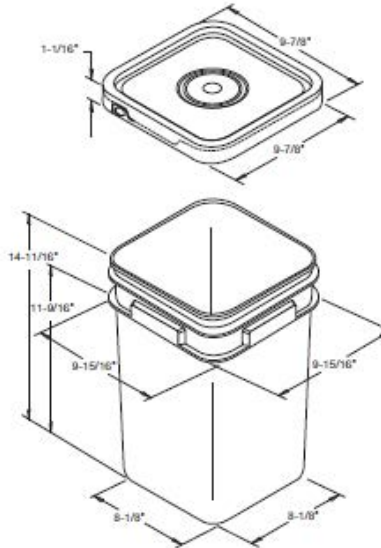
**Colors**

- Standard: White, Black and Natural
- Custom: Available at manufacturer's discretion

**Decorating Options**

- Silk - Screening 5"W X 8-1/2"H
- Four or six\* color offset printing
- Print area: 5"W X 8-1/2"H on each panel
- Sleeve or pressure sensitive labeling

*Note: \*Where available*



**Shipping Data**

|   | <b>Bodies</b> | <b>Covers</b>           |
|---|---------------|-------------------------|
| Qty. per pallet:  | 240           | 2,304 (24 boxes of 96)* |
| Gross Weight (lbs./kgs.)**:                                 | 360/163.2     | 852.5/391.7             |
| Den. (lbs./C.F./kgs./m3):                                   | 6.0/96.5      | 8.0/129.9               |
| Length (in./cm.):   | 51.2/130      | 51/129.5                |
| Width (in./cm.):  | 42/106.7      | 41/104.1                |
| Height (in./cm.):   | 48/121.9      | 89/223.6                |
| Estimated truckload quantity of 11,040 bodies and covers*** |               |                         |

**Filed Containers**

60 (20 per layer / 3 layers high)  
Pallet height: 48.7"

*Notes: \*Bulk pack also available  
\*\*Weight does not include pallet/packaging  
\*\*\*Truckload quantity based on 53' trailer*

**Materials**

- FDA approved materials
- Resin: Body: High-Density Polyethylene (HDPE)  
or Clear Polypropylene (PP)
- Cover: High-Density Polyethylene (HDPE)
- MSDS Sheets available upon request

**Optional Carrying Handle**



**Pipeline Packaging**

30310 Emerald Valley Pkwy  
Glenwillow, OH 44139

|                                      |                  |                      |        |
|--------------------------------------|------------------|----------------------|--------|
| PPC ITEM NUMBER: 51119               |                  | SKU: 01-05-048-00097 |        |
| DRAWN BY: -                          | CHECKED BY: -    | DATE: 11/19/2018     |        |
| DESCRIPTION: 16L HDPE Open Head Pail |                  | COLOR: White         |        |
| PART MATERIAL: HDPE                  | VOLUME: 16 Liter | WEIGHT: -            |        |
| DWG NO.: -                           | DWG SIZE: A      | SHEET NO: 1 of 1     | REV: - |

**PROPRIETARY AND CONFIDENTIAL**

THE INFORMATION CONTAINED IN THIS DRAWING IS THE SOLE PROPERTY OF PIPELINE PACKAGING. ANY REPRODUCTION IN PART OR AS A WHOLE WITHOUT THE WRITTEN PERMISSION OF PIPELINE PACKAGING IS PROHIBITED.

**UNLESS OTHERWISE SPECIFIED:**

UNITS OF MEASURE: Inches

TOLERANCES: Specified in drawing