

2-Gallon Round Container with EZ Cover®

Multiple Uses

Dry Products

Product Codes

Container: **R027**

Description: 2-gallon round can

Cover: **T2DR**

Description: Tamper-evident, round EZ Cover® with Ring Pull®

Features

Gauge: 65 mil.
 Nominal capacity: 2.0 USG / 7.6L
 Stack performance: 200 lbs.*
 Tare weights: Body: .80 lbs. / .36 kgs.
 Cover: .30 lbs. / .14 kgs.

Note: *Ratings will be reduced with uneven load distribution.

Specifications with Cover

Dimensions: 9-15/16" D X 9-7/16" H
 Maximum capacity: 2.1 USG / 7.9 L
 Tare weight: 1.10 lbs. / .50 kgs.

Colors

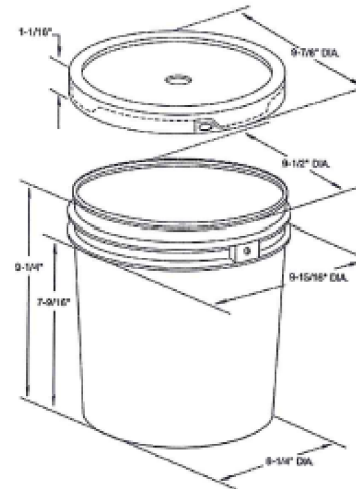
Standard: White, Black and Natural
 Custom: Available at manufacturer's discretion

Decorating Options

Silk - Screening: 25-1/2"W X 6"H
 Four or six* color offset printing
 Print area: 27-1/2"W X 6"H

NXT Graphics®

Note: *Where available



Shipping Data

	Bodies	Covers	Filled Containers
Qty. per pallet:	240	1,920 (24 boxes of 80)*	100 (20 per layer / 5 layers high)
Gross Weight: (lbs./kgs)**:	192/86.4	576/268.8	Pallet height: 51"
Den. (lbs./C.F./kgs./m3):	5.1/76.8	5.4/89.7	
Length (in./cm.):	49/124.4	48/121.9	
Width (in./cm.):	40/101.6	41/104.1	
Height (in./cm.):	33/83.8	93/236.2	
Estimated truckload quantity of 14,400 bodies and covers***			

Notes: *Bulk pack also available

**Weight does not include pallet/packaging

***Truckload quantity based on 53' trailer

Materials

FDA approved materials
 Resin: Body: High-Density Polyethylene (HDPE)
 Cover: High-Density Polyethylene (HDPE)
 MSDS Sheets available upon request

Optional Carrying Handles



Pipeline Packaging

30310 Emerald Valley Pkwy
 Glenwillow, OH 44139

PPC ITEM NUMBER: 51452		SKU: 01-05-048-00098	
DRAWN BY: -		CHECKED BY: -	
		DATE: 11/19/2018	
DESCRIPTION: 2 Gal HDPE Open Head Pail		COLOR: White	
PART MATERIAL: HDPE		VOLUME: 2 Gal	
		WEIGHT: -	
DWG NO.: -		DWG SIZE: A	
		SHEET NO: 1 of 1	
		REV: -	

PROPRIETARY AND CONFIDENTIAL

THE INFORMATION CONTAINED IN THIS DRAWING IS THE SOLE PROPERTY OF PIPELINE PACKAGING. ANY REPRODUCTION IN PART OR AS A WHOLE WITHOUT THE WRITTEN PERMISSION OF PIPELINE PACKAGING IS PROHIBITED.

UNLESS OTHERWISE SPECIFIED:

UNITS OF MEASURE: Inches

TOLERANCES: Specified in drawing