

# 4-Gallon Square Container with S4 Cover

## Multiple Uses

Dry Products

## Product Codes

Container: **S047**

Description: 4-gallon square can

Cover: **S4D0**

Description: Square, dry seal cover

## Features

Built in hand grips  
 Gauge: 65 mil.  
 Nominal capacity: 4.0 USG / 15.0 L  
 Stack performance: 175 lbs.\*  
 Tare weights: Body: 1.32 lbs. / .60 kgs.  
 Cover: .33 lbs. / .15 kgs.  
 Note: \*Ratings will be reduced with uneven load distribution.

## Specifications with Cover

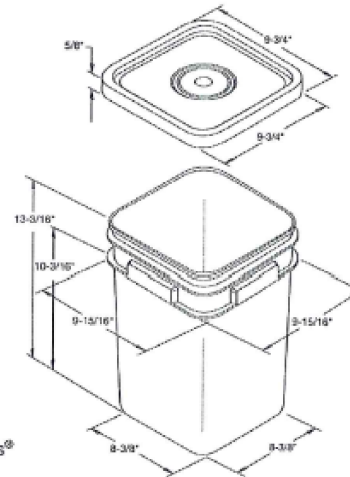
Dimensions: 9-15/16" X 9-15/16" X 13-1/4"H  
 Maximum capacity: 4.1 USG / 15.5 L  
 Tare weight: 1.65 lbs. / .75 kgs.

## Colors

Standard: White, Black, Natural and Clear  
 Custom: Available at manufacturer's discretion

## Decorating Options

Silk - Screening: 5"W X 7-1/2"H  
 Four or six\* color offset printing  
 Print area: 5"W X 7-1/2"H on each panel  
 Sleeve, pressure sensitive labeling (PSL) or NXT Graphics®  
 Note: \*Where available



## Shipping Data

Qty. per pallet: 240  
 Gross Weight (lbs./kgs.)\*\*: 316.8/144  
 Den. (lbs./C.F./kgs./m3): 5.4/86.7  
 Length (in./cm.): 51.7/131.3  
 Width (in./cm.): 42.2/107.2  
 Height (in./cm.): 46.5/118.1  
 Estimated truckload quantity of 11,040 bodies and covers\*\*\*

## Bodies

## Covers

## Filled Containers

60 (20 per layer / 3 layers high)  
 Pallet height: 44"

Notes: \*Bulk pack also available  
 \*\*Weight does not include pallet/packaging  
 \*\*\*Truckload quantity based on 53' trailer

## Materials

FDA approved materials  
 Resin: Body: High-Density Polyethylene (HDPE)  
 or Clear Polypropylene (PP)  
 Cover: Prime High-Density Polyethylene (HDPE)  
 MSDS Sheets available upon request

## Optional Carrying Handle



30310 Emerald Valley Pkwy  
 Glenwillow, OH 44139

PPC ITEM NUMBER: 51069		SKU: 01-05-048-00110	
DRAWN BY: -		CHECKED BY: -	
		DATE: 11/19/2018	
DESCRIPTION: 4 Gal HDPE Open Head Pail		COLOR: White	
PART MATERIAL: HDPE		VOLUME: 4 Gal	
		WEIGHT: -	
DWG NO.: -		DWG SIZE: A	
		SHEET NO: 1 of 1	
		REV: -	

### PROPRIETARY AND CONFIDENTIAL

THE INFORMATION CONTAINED IN THIS DRAWING IS THE SOLE PROPERTY OF PIPELINE PACKAGING. ANY REPRODUCTION IN PART OR AS A WHOLE WITHOUT THE WRITTEN PERMISSION OF PIPELINE PACKAGING IS PROHIBITED.

### UNLESS OTHERWISE SPECIFIED:

UNITS OF MEASURE: Inches

TOLERANCES: Specified in drawing