

12-Liter Round Container with Lo-Vis EZ Cover®

Multiple Uses

Dry Products
Liquid Products

Product Codes

Container: **C127**
Description: 12.0 L / 3.2-gallon round can

Cover: **LTGZ**

Description: Tamper-evident, Lo-Vis EZ Cover® with four tabs and tubular gasket

Features

Gauge: 70 mil.
Nominal capacity: 12.0 L / 3.2 USG
Stack performance: 350 lbs.*
Tare weights: Body: 1.22 lbs. / .56 kgs
Cover: .58 lbs. / .26 kgs.

Note: *Ratings will be reduced with uneven load distribution.

Specifications with Cover

Dimensions: 12-3/8" D X 9-9/16" H
Maximum capacity: 12.9 L / 3.4 USG
Tare weight: 1.80 lbs. / .82 kgs.

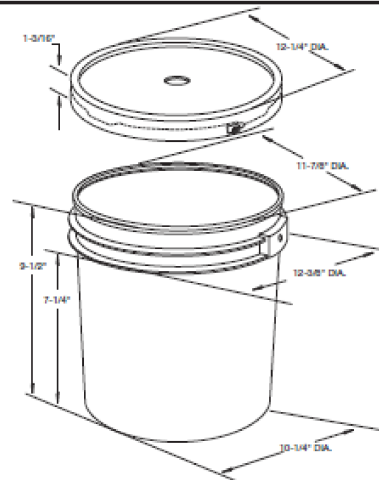
Colors

Standard: White, Black and Natural
Custom: Available at manufacturer's discretion

Decorating Options

Four or six* color offset printing
Print area: 34-1/16"W x 5-1/2"H

Note: *Where available



Shipping Data

	Bodies	Covers
Qty. per pallet/carton:	180	1,152 (24 boxes of 48)*
Gross Weight (lbs/kgs):**:	219.6/100.8	668.2/299.5
Den. (lbs./C.F./kgs./m3):	4.8/77.2	5.5/86.6
Length (in./cm.):	49/124.5	52/132.1
Width (in./cm.):	38.5/97.8	40/101.6
Height (in./cm.):	42.2/107.2	101.5/257.8

Filled Containers

48 (12 per layer / 4 layers high)
Pallet Height: 46.8"

Estimated truckload quantity of 7,560 bodies and covers***

Notes: *Bulk pack also available
**Weight does not include pallet/packaging
***Truckload quantity based on 53' trailer

Materials

FDA approved materials
Resin: Body: High-Density Polyethylene (HDPE)
Cover: High-Density Polyethylene (HDPE)
Styrene Butadiene Rubber Gasket
MSDS Sheets available upon request

Optional Carrying Handle

 30310 Emerald Valley Pkwy
Glenwillow, OH 44139

PPC ITEM NUMBER: 51755 SKU: 01-05-048-00125

DRAWN BY: - CHECKED BY: - DATE: 11/20/2018

DESCRIPTION: 12L HDPE Open Head Pail COLOR: Black

PART MATERIAL: - VOLUME: - WEIGHT: -

DWG NO.: - DWG SIZE: A SHEET NO: 1 of 1 REV: -

PROPRIETARY AND CONFIDENTIAL
THE INFORMATION CONTAINED IN THIS DRAWING IS THE SOLE PROPERTY OF PIPELINE PACKAGING. ANY REPRODUCTION IN PART OR AS A WHOLE WITHOUT THE WRITTEN PERMISSION OF PIPELINE PACKAGING IS PROHIBITED.

UNLESS OTHERWISE SPECIFIED:
UNITS OF MEASURE: Inches
TOLERANCES: Specified in drawing