

3.5-Gallon Round Container with Lo-Vis EZ Cover®

Multiple Uses

Dry Products
Liquid Products

Product Codes

Container: **R039**
Description: 3.5-gallon round can

Cover: **LTGZ**

Description: Tamper-evident, Lo-Vis EZ Cover® with four tabs and tubular gasket

Features

Gauge: 90 mil.
Nominal capacity: 3.5 USG / 13.2 L
Stack performance: 400 lbs. *
Tare weights: Body: 1.61 lbs. / .73 kgs.
Cover: .58 lbs. / .26 kgs.

Note: *Ratings will be reduced with uneven load distribution.

Specifications with Cover

Dimensions: 12-3/8"D X 11-1/2"H
Maximum capacity: 4.1 USG / 15.5 kgs.
Tare weight: 2.19 lbs. / .99 kgs.

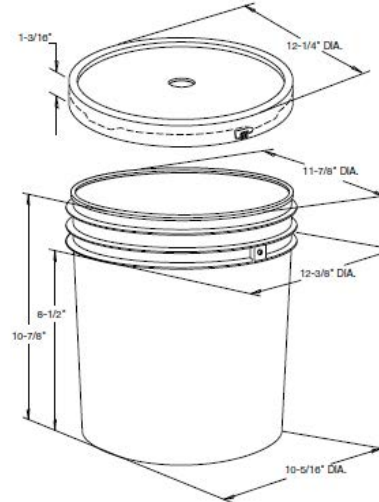
Colors

Standard: White, Black and Natural
Custom: Available at manufacturer's discretion

Decorating Options

Silk-Screening: 32-1/4"W X 7"H
Four or six* color offset printing
Print area: 34-1/4"W X 7"H

Note: *Where available



Shipping Data

	Bodies	Covers
Qty. per pallet/carton:	144	1,152 (24 boxes of 48)*
Gross Weight (lbs./kgs)**:	231.8/105.1	668.2/299.5
Den. (lbs./C.F./kgs./m3):	6.3/100.6	5.5/86.6
Length (in./cm.):	49.3/125.2	52/132.1
Width (in./cm.):	37.5/95.3	40/101.6
Height (in./cm.):	34.5/87.6	101.5/257.8

Estimated truckload quantity of 8,640 bodies and covers***

Notes: *Bulk pack also available
**Weight does not include pallet/packaging
***Truckload quantity based on 53' trailer

Filled Containers

48 (12 per layer / 4 layers high)
Pallet height: 48"

Materials

FDA approved materials
Resin: Body: High-Density Polyethylene (HDPE)
Cover: High-Density Polyethylene (HDPE)
Styrene Butadiene Rubber (SBR) Gasket
MSDS Sheets available upon request

Optional Carrying Handle



Pipeline Packaging

30310 Emerald Valley Pkwy
Glenwillow, OH 44139

PPC ITEM NUMBER: 51476		SKU: 01-05-048-00134	
DRAWN BY: -		CHECKED BY: -	
		DATE: 11/19/2018	
DESCRIPTION: 3.5 Gal HDPE Open Head Pail		COLOR: White	
PART MATERIAL: HDPE		VOLUME: 3.5 Gal	
DWG NO.: -		WEIGHT: -	
		DWG SIZE: A	
		SHEET NO: 1 of 1	
		REV: -	

PROPRIETARY AND CONFIDENTIAL

THE INFORMATION CONTAINED IN THIS DRAWING IS THE SOLE PROPERTY OF PIPELINE PACKAGING. ANY REPRODUCTION IN PART OR AS A WHOLE WITHOUT THE WRITTEN PERMISSION OF PIPELINE PACKAGING IS PROHIBITED.

UNLESS OTHERWISE SPECIFIED:

UNITS OF MEASURE: Inches

TOLERANCES: Specified in drawing