

3.5 gal Sampson ST3 Screw Top Pail	Prepared For: General Product Description
	Date: 10/2011

3.5-6.0 gal Sampson ST3 Screw Top Cover	Prepared For: General Product Description
	Date: 10/2011

Typical Specifications*

Material: High Density Polyethylene
Manufacture: Injection Molding
Nominal Capacity: 3.5 Gallons (11.25 Liters)
Wall Thickness: 80 mil
Tare Weight: 760 grams +/-20 incl. plastic handle

ID Top Lip: n/a

Exterior: **Height:** 10.90"
Top Dia.: 12.16"
Bottom Dia.: 11.31"

Shipping: **Carton:** N/A
Tray: N/A
Truckload: N/A

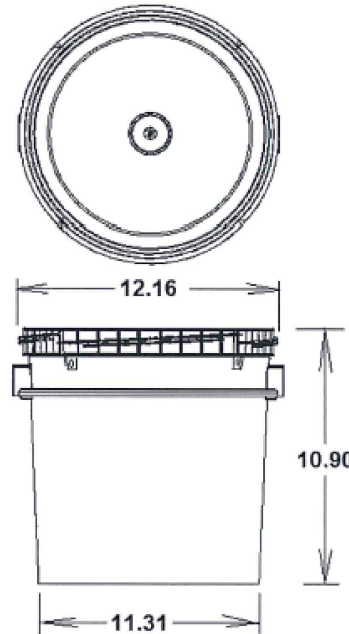
Covers: **Gaskets:** 3.5-6.0G ST3
Cover wt.: N/A
315 gm +/- 15 gm

Handle: Molded plastic
Fittings: N/A
Fill Temperature: 170°F maximum
Printing: Offset Printing & Thermal Transfer labels:

Nesting: Tapered sidewalls for easy nesting.
Stacking: Recommended maximum stacking is 3 pails high per pallet, 2 pallets high.

Color: White is standard. Custom colors available on minimum orders.

UN Packages: Solids Package: 3.5G ST3 Pail with 3.5-6.0G ST3 COVER ONLY. Specifications meet "Y-20.0S" codes. Refer to UN Container Guide or contact your Bway representative.



**Note: Some specifications are typical and may change slightly within tolerances.*

Typical Specifications*

Material: High Density Polyethylene
Manufacture: Injector Molding

Wall Thickness: 90 mil
Tare Weight: 315 grams +/-20

Thread I.D.: 12.05"

Exterior: **Height:** 1.25"
Top Dia.: 12.63"

Shipping: **Carton:** N/A
Tray: N/A
Truckload: N/A

Tamper Evidence: Uses separate TE Pin

Child Resistance: Integral Squeeze Tab – CRSF Certified

Fittings: N/A

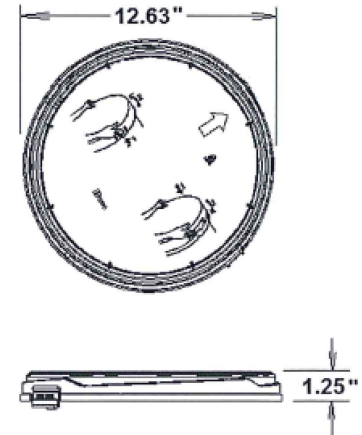
Fill Temperature: 180°F maximum

Printing: Raised Embossed Opening Instructions

Nesting: Covers nest atop one another for shipping and storage

Color: White is standard. Custom colors available on minimum orders.

UN Packages: Solids Package: 3.5, 5.0 or 6.0G ST3 Pail with 3.5-6.0G ST3 COVER ONLY. Specifications meet "Y-20.0S" (3.5G), "Y-24.0S" (5.0G), and "Y-27.0S" (6.0G) codes. Refer to UN Container Guide or contact your Bway representative.



**Note: Some specifications are typical and may change slightly within tolerances.*

pipeline Packaging 30310 Emerald Valley Pkwy
Glenwillow, OH 44139

PPC ITEM NUMBER: 51913	SKU: 01-05-048-00135
DRAWN BY: -	CHECKED BY: -
DATE: 11/20/2018	

DESCRIPTION: 3.5 Gal HDPE Open Head Pail	COLOR: White
PART MATERIAL: -	VOLUME: -
DWG NO.:-	WEIGHT: -
DWG SIZE: A	SHEET NO: 1 of 1
	REV: -

PROPRIETARY AND CONFIDENTIAL

THE INFORMATION CONTAINED IN THIS DRAWING IS THE SOLE PROPERTY OF PIPELINE PACKAGING. ANY REPRODUCTION IN PART OR AS A WHOLE WITHOUT THE WRITTEN PERMISSION OF PIPELINE PACKAGING IS PROHIBITED.

UNLESS OTHERWISE SPECIFIED:

UNITS OF MEASURE: Inches

TOLERANCES: Specified in drawing