

5.3-Gallon EZ STOR® Container with Hinged Cover

Multiple Uses

Dry Products

Product Codes

Container: **E538**

Description: 5.3-gallon rectangular can

Cover: **ESDH / ESDR**

Description: Dry seal, tamper-evident, hinged EZ open & close cover

Features

Built in hand grips
 Gauge: 80 mil.
 Nominal capacity: 5.3 USG / 20 L
 Stack performance: 220 lbs.*
 Tare weights: Body: 1.90 lbs. / .86 kgs.
 Cover: .39 lbs. / .18 kgs.

Note: *Ratings will be reduced with uneven load distribution.

Specifications with Cover

Dimensions: 11-15/16"L X 9-7/8"W X 14-11/16"H*
 Maximum capacity: 5.6 USG / 21.2 L
 Tare weight: 2.29 lbs. / 1.04 kgs.

Notes: *Based on HDPE body

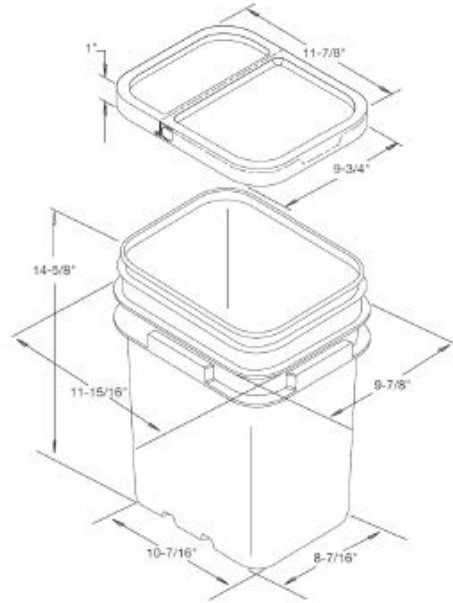
Colors

Standard: White, Black, Natural and Clear
 Custom: Available at manufacturer's discretion

Decorating Options*

Four or six color offset printing**
 Sleeve or pressure sensitive labeling
 In-Mold labeling (IML)
 NXT Graphics®

Note: *See EZ Stor Decoration Summary for further details.
 **Where available.



Shipping Data

	Bodies	Covers	Filled Containers
Qty. per pallet:	144	1,440 (30 boxes of 48)	48 (16 per layer / 3 layer high)
Gross Weight (lbs./kgs)*:	273.6/123.8	561.6/259.2	Pallet height: 48.75"
Den. (lbs./C.F./kgs./m3):	4.6/72.8	6.1/99.3	
Length (in./cm.):	49.5/125.7	48/121.9	
Width (in./cm.):	41/104.1	40/101.6	
Height (in./cm.):	50.5/128.3	83/210.8	
Estimated truckload quantity of 6,336 bodies and covers**			

Notes: *Weight does not include pallet / packaging
 **Truckload quantity based on 53' trailer

Materials

FDA approved materials
 Resin: Body: High Density Polyethylene (HDPE)
 or Clear Polypropylene
 Cover: Polypropylene (PP)
 MSDS Sheets available upon request

Revision 11/10-1

Optional Carrying Handle



30310 Emerald Valley Pkwy
 Glenwillow, OH 44139

PPC ITEM NUMBER: 51327		SKU: 01-05-048-00137	
DRAWN BY: -	CHECKED BY: -	DATE: 11/26/2018	
DESCRIPTION: 5.3 Gal HDPE Gray Open Head Pail		COLOR: -	
PART MATERIAL: -	VOLUME: -	WEIGHT: -	
DWG NO.: -	DWG SIZE: A	SHEET NO: 1 of 1	REV: -

PROPRIETARY AND CONFIDENTIAL

THE INFORMATION CONTAINED IN THIS DRAWING IS THE SOLE PROPERTY OF PIPELINE PACKAGING. ANY REPRODUCTION IN PART OR AS A WHOLE WITHOUT THE WRITTEN PERMISSION OF PIPELINE PACKAGING IS PROHIBITED.

UNLESS OTHERWISE SPECIFIED:

UNITS OF MEASURE: Inches
 TOLERANCES: Specified in drawing