

5.0-Gallon 90 mil LBR Pail with Standard Tear Skirt Cover

*Note: Available with UN-Solids Y27/S rating for Packaging Group II and III (USA & Canada)

Multiple Uses **Product Codes**
 Dry Products Pail: 5500 Series, 55100
 Liquid Products Description: 5.0-gallon LBR Pail

Cover: 6500 Series
 Description: Tear Skirt Cover, Standard
 Note: *Multiple fitting and venting options available

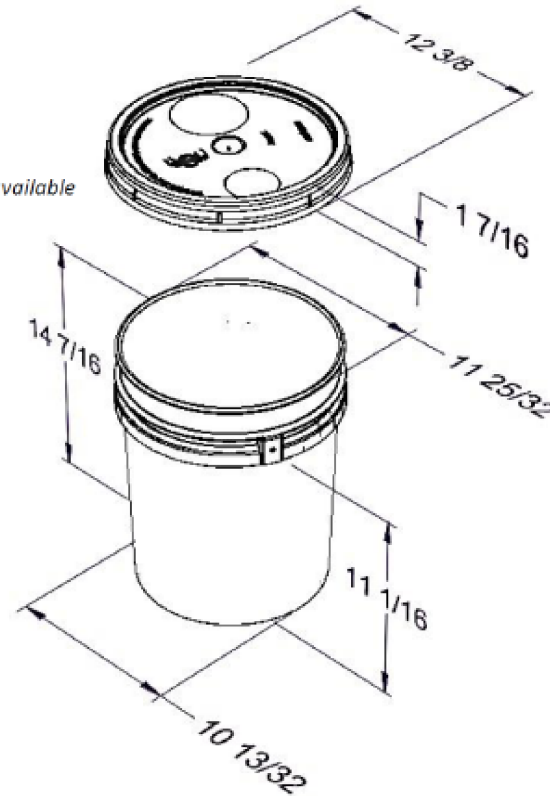
Features
 Gauge: 90 mil
 Nominal capacity: 5.0 USG / 19.0 L
 Stack performance: 350 lbs.*
 Tare weights: Body: 2.08 lbs. / 948 gr.
 Cover: .66 lbs. / 300 gr.
 Note: *Ratings will be reduced with uneven load distribution.

Specifications with Cover
 Dimensions: 12 3/8" D. X 14 11/16" H
 Maximum capacity: 5.3 USG / 21.2L
 Tare weight: 2.74 lbs. / 1.25 kgs.

Colors
 Standard: White, Black and Natural
 Custom: Available at manufacturer's discretion

Decorating Options
 Four color offset printing
 Print area: 33"W X 8-1/2"H
 Sleeve or pressure sensitive labeling

Shipping Data	Bodies	Covers	Filled Containers
Qty. per pallet/carton:	240*	1,200*	36 (12 per layer/3 layers high)
Gross Weight (lbs/kgs.)**:	499.2/226	792/359	Pallet height: 47"
Length (in./cm.):	48/122	50/127	
Width (in./cm.):	36/91.4	37.5/95.3	
Height (in./cm.):	45/114	96/243.8	
Approximate truckload quantity of 5,520 pails and covers***			



Materials
 FDA approved materials
 Resin: Body: High-Density Polyethylene (HDPE) Cover: High-Density Polyethylene (HDPE)
 MSDS Sheets available upon request

Optional Carrying Handle – Wire or Plastic

Pipeline Packaging 30310 Emerald Valley Pkwy
 Glenwillow, OH 44139

PPC ITEM NUMBER: 57472	SKU: 01-05-048-00156
DRAWN BY: -	CHECKED BY: -
DATE: 11/27/2018	

DESCRIPTION: 5 Gal HDPE Black Open Head Pail	COLOR: -
PART MATERIAL: -	VOLUME: -
WEIGHT: -	
DWG NO.: -	DWG SIZE: A
SHEET NO: 1 of 1	REV: -

PROPRIETARY AND CONFIDENTIAL
 THE INFORMATION CONTAINED IN THIS DRAWING IS THE SOLE PROPERTY OF PIPELINE PACKAGING. ANY REPRODUCTION IN PART OR AS A WHOLE WITHOUT THE WRITTEN PERMISSION OF PIPELINE PACKAGING IS PROHIBITED.

UNLESS OTHERWISE SPECIFIED:
 UNITS OF MEASURE: Inches
 TOLERANCES: Specified in drawing