

5.0-Gallon UN Pail with UN Cover

Note: *Rated for Liquids Y1.5/30 and Solids Y43/S for Packing Group II and III (USA and Canada)

Multiple Uses **Product Codes**
 Dry Products Pail: **5500 Series, 55100**
 Liquid Products Description: 5.0-gallon UN Pail

Cover: **2500 Series**
 Description: UN Short Skirt Cover
 Note: *Multiple fitting and venting options available

Features

Gauge: 90 mil
 Nominal capacity: 5.0 USG / 19.0L
 Stack performance: 350 lbs.*
 Tare weights: Body: 2.08 lbs. / 948 gr.
 Cover: .77 lbs. / 350 gr.

Note: *Ratings will be reduced with uneven load distribution.

Specifications with Cover

Dimensions: 12 5/16"D. X 14 11/16"H
 Maximum capacity: 5.3 USG / 21.2 L
 Tare weight: 2.85 lbs. / 1.29 kgs.

Colors

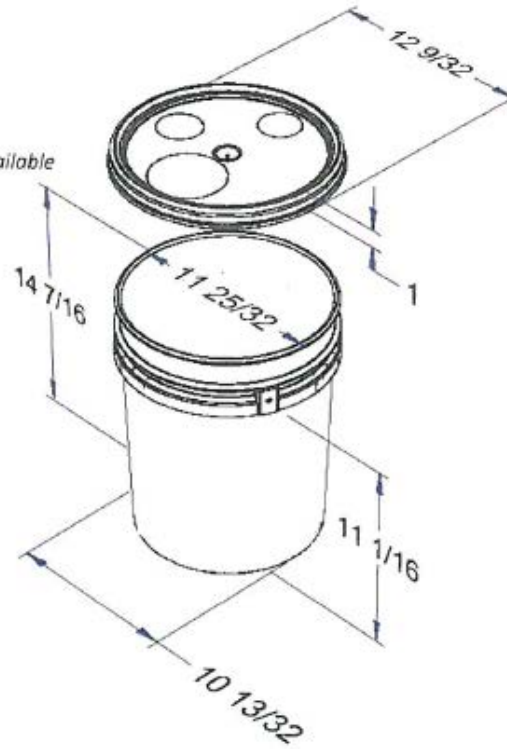
Standard: White, Black and Natural
 Custom: Available at manufacturer's discretion

Decorating Options

Four color offset printing
 Print area: 33"W X 8-1/2"H
 Sleeve or pressure sensitive labeling

Shipping Data

	Bodies	Covers
Qty. per pallet/carton:	240*	1,200*
Gross Weight (lbs./kgs.)**:	499.2/226	924/419
Length (in./cm.):	48/122	49 1/2"/125.7
Width (in./cm.):	36/91.4	40/101.6
Height (in./cm.):	45/114	97.5/247.6
Approximate truckload quantity of 5,520 pails and covers***		



Filled Containers

36 (12 per layer/3 layers high)
 Pallet height: 47"

Notes:

- *Quantity can vary based on customer request
- **Weight does not include pallet/packaging
- ***Based on 53' trailer and full pallet quantities

Materials

FDA approved materials
 Resin: Body: High-Density Polyethylene (HDPE) Cover: High-Density Polyethylene (HDPE)
 MSDS Sheets available upon request

Optional Carrying Handle – Wire or Plastic

 **30310 Emerald Valley Pkwy
 Glenwillow, OH 44139**

PPC ITEM NUMBER: 51250	SKU: 01-05-048-00160
DRAWN BY: -	CHECKED BY: - DATE: 11/19/2018

DESCRIPTION: 5 Gal HDPE Open Head Pail	COLOR: White
PART MATERIAL: HDPE	VOLUME: 5 Gal
DWG NO.: -	DWG SIZE: A
SHEET NO: 1 of 1	REV: -

PROPRIETARY AND CONFIDENTIAL

THE INFORMATION CONTAINED IN THIS DRAWING IS THE SOLE PROPERTY OF PIPELINE PACKAGING. ANY REPRODUCTION IN PART OR AS A WHOLE WITHOUT THE WRITTEN PERMISSION OF PIPELINE PACKAGING IS PROHIBITED.

UNLESS OTHERWISE SPECIFIED:

UNITS OF MEASURE: Inches

TOLERANCES: Specified in drawing