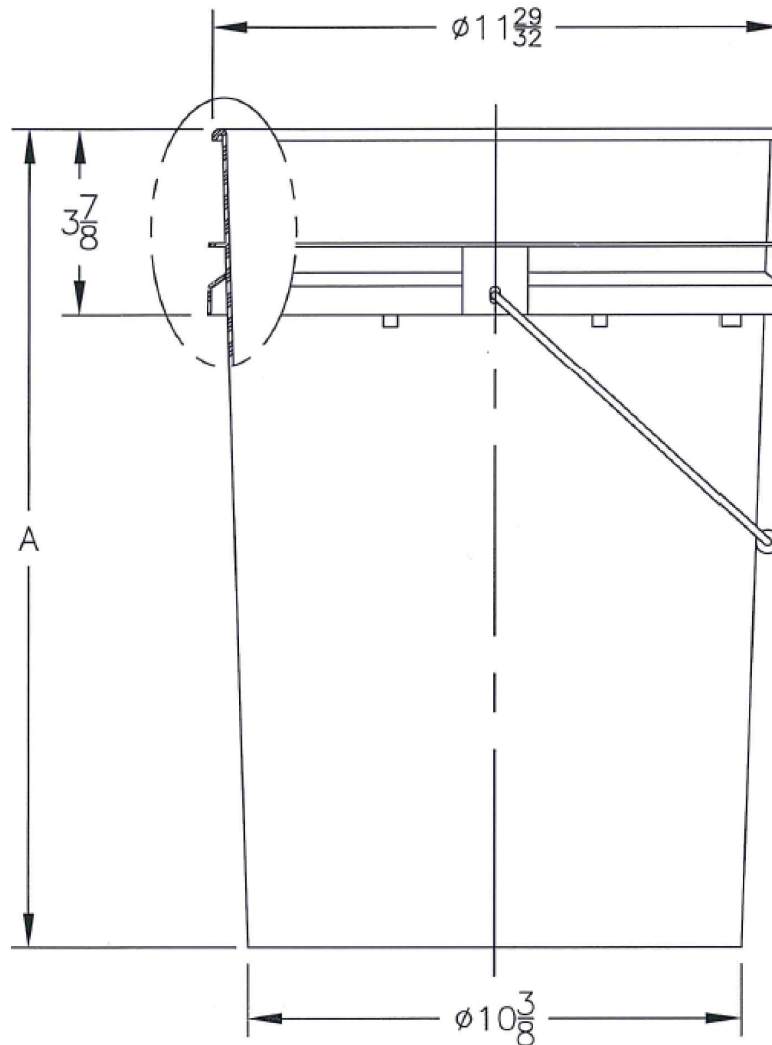


MOLD #	A
53	17 $\frac{1}{4}$
67	17 $\frac{3}{8}$



NOTES:
WEIGHT:
 *-1060 GRAMS
WALL THICKNESS:
 *- .090
MATERIAL:
 *-PREMIUM HDPE INJECTION RESIN
 *-AVAILABLE IN A WIDE RANGE OF COLORS
 TO MEET CUSTOMER NEEDS
DECORATION:
 *-MULTIPLE PRINT & LABEL OPTIONS AVAILABLE


 30310 Emerald Valley Pkwy
 Glenwillow, OH 44139

PPC ITEM NUMBER: 51920 SKU: 01-05-048-00173

DRAWN BY: - CHECKED BY: - DATE: 11/20/2018

DESCRIPTION: 6 Gal HDPE Open Head Pail COLOR: White

PART MATERIAL: - VOLUME: - WEIGHT: -

DWG NO.: - DWG SIZE: A SHEET NO: 1 of 1 REV: -

PROPRIETARY AND CONFIDENTIAL
 THE INFORMATION CONTAINED IN THIS DRAWING IS THE SOLE PROPERTY OF PIPELINE PACKAGING. ANY REPRODUCTION IN PART OR AS A WHOLE WITHOUT THE WRITTEN PERMISSION OF PIPELINE PACKAGING IS PROHIBITED.

UNLESS OTHERWISE SPECIFIED:
 UNITS OF MEASURE: Inches
 TOLERANCES: Specified in drawing