

6.0-Gallon Round Container with Lo-Vis EZ Cover®

Multiple Uses

Dry Products
Liquid Products

Product Codes

Container: R069
Description: 6.0-gallon round can

Cover: LTGZ

Description: Tamper-evident, round Lo-Vis EZ Cover with four tabs and tubular gasket

Features

Gauge: 90 mil.
Nominal capacity: 6.0 USG / 22.7 L
Stack performance: 400 lbs.*
Tare weights: Body: 2.45 lbs. / 1.11 kgs.
Cover: .60 lbs. / .27 kgs.

Note: *Ratings will be reduced with uneven load distribution.

Specifications with Cover

Dimensions: 12-3/8"D X 17-5/8"H
Maximum capacity: 6.6 USG / 25.0 L
Tare weight: 3.05 lbs. / 1.38 kgs.*

Note: *With handle, add .10 lbs.

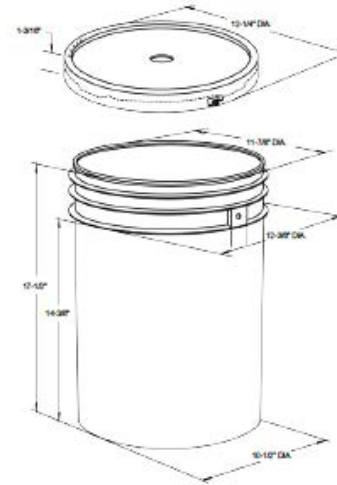
Colors

Standard: White, Black and Natural
Custom: Available at manufacturer's discretion

Decorating Options

Silk-Screening: 31-1/2"W X 10-1/2"H
Four or six* color offset printing:
Print area: 33-1/2"W X 10-1/2"H
Sleeve or pressure sensitive labeling

Note: *Where available



Shipping Data

	Bodies	Covers*
Qty. per pallet/carton:	72	1152 (24 boxes of 48)
Gross Weight (lbs./kgs)**:	176.4/80	691.2/311
Den. (lbs./C.F./kgs./m3):	3.9/63	6.2/98.1
Length (in./cm.):	49.3/125.2	51/129.5
Width (in./cm.):	37.5/95.3	40/101.6
Height (in./cm.):	42/106.6	95/241.3

Estimated truckload quantity of 3,456 bodies and covers***

Filled Containers

24 (12 per layer/2 layers high)
Pallet height: 40.0"

Notes: *Bulk pack of 288 also available
**Weight does not include pallet/packaging
***Truckload quantity based on 53' trailer

Materials

FDA approved materials
Resin: Body: High-Density Polyethylene (HDPE)
Cover: High-Density Polyethylene (HDPE)
Ethylene Propylene Diene Monomer (EPDM) Gasket
MSDS Sheets available upon request

Optional Carrying Handles

Plastic HDPE or
Metal nine-gauge gal. steel



Pipeline Packaging

30310 Emerald Valley Pkwy
Glenwillow, OH 44139

PPC ITEM NUMBER: 51462		SKU: 01-05-048-00208	
DRAWN BY: -	CHECKED BY: -	DATE: 11/19/2018	
DESCRIPTION: 6 Gal HDPE Open Head Pail		COLOR: White	
PART MATERIAL: HDPE	VOLUME: 6 Gal	WEIGHT: -	
DWG NO.: -	DWG SIZE: A	SHEET NO: 1 of 1	REV: -

PROPRIETARY AND CONFIDENTIAL

THE INFORMATION CONTAINED IN THIS DRAWING IS THE SOLE PROPERTY OF PIPELINE PACKAGING. ANY REPRODUCTION IN PART OR AS A WHOLE WITHOUT THE WRITTEN PERMISSION OF PIPELINE PACKAGING IS PROHIBITED.

UNLESS OTHERWISE SPECIFIED:

UNITS OF MEASURE: Inches

TOLERANCES: Specified in drawing