

8-Gallon EZ STOR® Container with Hinged Cover

Multiple Uses

Dry Products

Product Codes

Container: **E088**

Description: 8-gallon rectangular can

Cover: **EBDH**

Description: Dry seal, tamper-evident, hinged, EZ open & close cover with Ring Pull®

Features

Built in hand grips
 Gauge: 80 mil.
 Nominal capacity: 8 USG / 30.3 L
 Stack performance: 200 lbs.*
 Tare weights: Body: 2.87 lbs. / 1.3 kgs.
 Cover: .66 lbs. / .3 kgs.

Note: *Ratings will be reduced with uneven load distribution.

Specifications with Cover

Dimensions: 16-1/4"L X 13-1/4"W X 12-3/4"H
 Maximum capacity: 8.8 USG / 33.3 L
 Tare weight 3.53 lbs. / 1.6 kgs.

Colors

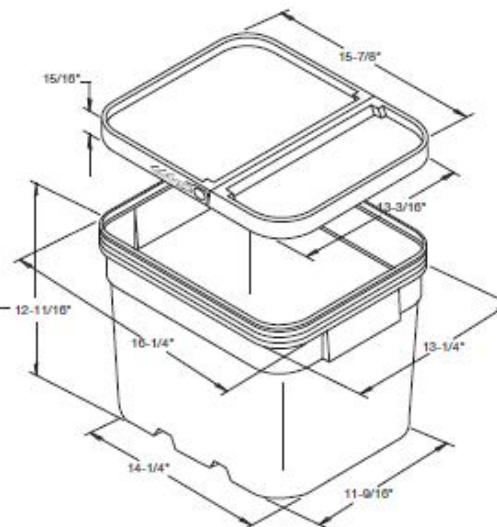
Standard: White, Black and Natural
 Custom: Available at manufacturer's discretion

Decorating Options*

Silk-Screen**
 Sleeve or pressure sensitive labeling
 Logo Emboss for Cover: 7-3/4"W X 4"H

Note: *See EZ Stor Decoration Summary for further details.

**Where available.



Shipping Data

	Bodies	Covers
Qty. per pallet:	81	1,215 (45 boxes of 27)*
Gross Weight (lbs./kgs.)**:	232.5/105.3	801.9/364.5
Den. (lbs./C.F./kgs./m3):	4.0/65.8	7.2/115.7
Length (in./cm.):	49.5/125.7	51.0/129.5
Width (in./cm.):	42/106.7	42.0/106.7
Height (in./cm.):	48/121.9	90.0/228.6
Estimated truckload quantity of 3,888 bodies and covers***		

Filled Containers

27 (9 per layer / 3 layers high)
 Pallet height: 42.75"

Notes: * Bulk pack of 486 is also available
 ** Weight does not include pallet / packaging
 *** Truckload quantity based on 53' trailer

Materials

FDA approved materials
 Resin: Body: High Density Polyethylene (HDPE)
 Cover: Polypropylene (PP)
 MSDS Sheets available upon request



Pipeline Packaging

30310 Emerald Valley Pkwy
 Glenwillow, OH 44139

PPC ITEM NUMBER: 51614		SKU: 01-05-048-00214	
DRAWN BY: -	CHECKED BY: -	DATE: 11/20/2018	
DESCRIPTION: 8 Gal HDPE Open Head Pail		COLOR: White	
PART MATERIAL: -	VOLUME: -	WEIGHT: -	
DWG NO.: -	DWG SIZE: A	SHEET NO: 1 of 1	REV: -

PROPRIETARY AND CONFIDENTIAL

THE INFORMATION CONTAINED IN THIS DRAWING IS THE SOLE PROPERTY OF PIPELINE PACKAGING. ANY REPRODUCTION IN PART OR AS A WHOLE WITHOUT THE WRITTEN PERMISSION OF PIPELINE PACKAGING IS PROHIBITED.

UNLESS OTHERWISE SPECIFIED:

UNITS OF MEASURE: Inches
 TOLERANCES: Specified in drawing