

# 6.0 Gallon Screw Top ST3 Pail with Cover

Note: \*UN Solids rated to Y27.0/5

### Multiple Uses

Dry Products

### Product Codes

Pail: 9900 Series

Description: 6.0 Gallon Screw Top Pail

Cover: 8900 Series

Description: 3.5G - 6.0 Gallon Screw Top Cover

### Features

Pail Gauge: 100 mil, Cover Gauge: 90mil

Nominal capacity: 6.0 USG / 22.7 L

Stack performance: 350 lbs.\*

Tare weights: Body: 2.91 lbs. / 1,320 gr.

Cover: .73 lbs. / 332 gr.

Note: \*Ratings will be reduced with uneven load distribution.

### Specifications with Cover

Dimensions: 12 5/8" D. X 14 3/4" H

Maximum capacity: 6.3 USG / 23.8 L

Tare weight: 3.64 lbs. / 1.65 kgs.

### Colors

Standard: White, Black and Natural

Custom: Available at manufacturer's discretion

### Decorating Options

Four color offset printing

Print area: 33"W X 8-1/2"H

Sleeve or pressure sensitive labeling

### Shipping Data

Qty. per pallet/carton:

### Bodies

144\*

### Covers

1,152\*

Gross Weight (lbs./kgs.)\*\*:

419/923.7

420.5/190.7

Length (in./cm.):

48/121.9

50.25/127.7

Width (in./cm.):

36/91.4

37.7/95.7

Height (in./cm.):

75.6/192

108/274.3

Approximate truckload quantity of 3,456 pails and covers\*\*\*

### Filled Containers

36 (12 per layer/3 layers high)

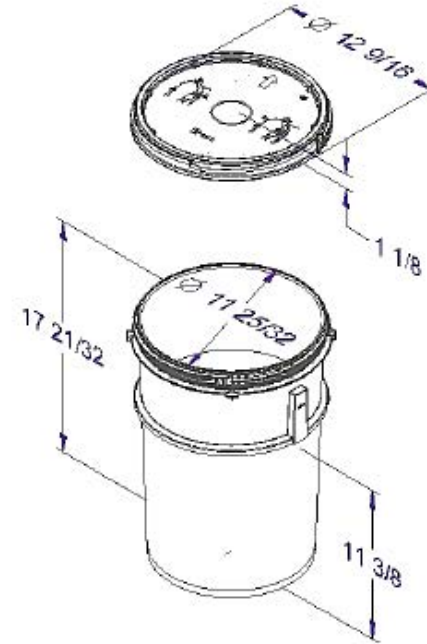
Pallet height: 53.25"

### Notes:

\*Quantity can vary based on customer request

\*\*Weight does not include pallet/packaging

\*\*\*Based on 53' trailer and full pallet quantities



### Materials

FDA approved materials

Resin: Body: High-Density Polyethylene (HDPE)

Cover: High-Density Polyethylene (HDPE)

MSDS Sheets available upon request

Carrying Handle – Plastic



Pipeline Packaging

30310 Emerald Valley Pkwy  
Glenwillow, OH 44139

PPC ITEM NUMBER: 51915		SKU: 01-05-048-00222	
DRAWN BY: -	CHECKED BY: -	DATE: 11/20/2018	
DESCRIPTION: 6 Gal HDPE Open Head Pail		COLOR: White	
PART MATERIAL: -	VOLUME: -	WEIGHT: -	
DWG NO.: -	DWG SIZE: A	SHEET NO: 1 of 1	REV: -

### PROPRIETARY AND CONFIDENTIAL

THE INFORMATION CONTAINED IN THIS DRAWING IS THE SOLE PROPERTY OF PIPELINE PACKAGING. ANY REPRODUCTION IN PART OR AS A WHOLE WITHOUT THE WRITTEN PERMISSION OF PIPELINE PACKAGING IS PROHIBITED.

### UNLESS OTHERWISE SPECIFIED:

UNITS OF MEASURE: Inches

TOLERANCES: Specified in drawing