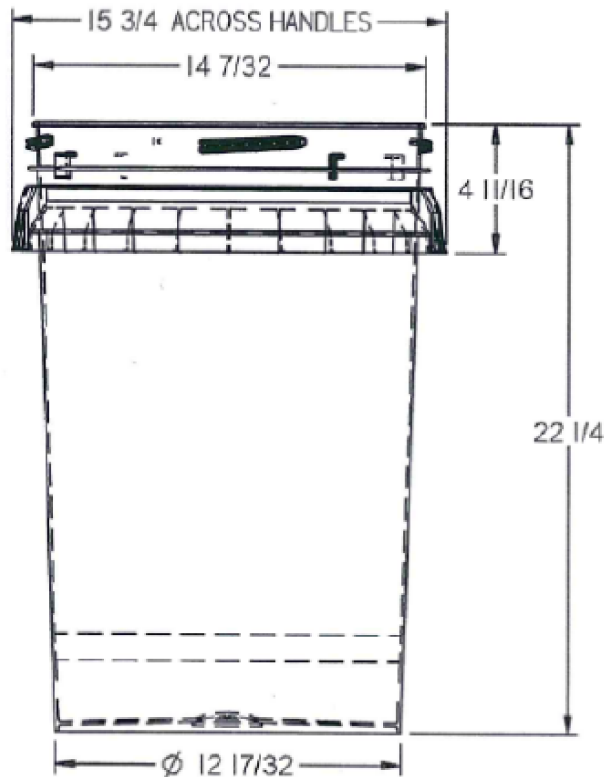


NOTES:

1. MATERIAL: HIGH DENSITY POLYETHYLENE, BLUE WHITE
2. NOMINAL WALL THICKNESS: .100" EXCEPT PAIL BOTTOM & LOWER 3" OF SIDEWALLS TO BE .120".
3. RATED VOLUME: 11.5 GAL'S
 VOLUME TO OVERFLOW: 12.6 GAL'S
 MAX. ALLOWABLE GROSS WT.: 110 LBS (50 KG)
4. WHEN MATED WITH C-10012 COVER, PACKAGE COMPLIES WITH U.N. PACKING GROUP II REQUIREMENTS FOR SOLIDS PACKAGING (49 CFR 178.600 THRU 178.604), AND CHILD RESISTANT / SENIOR FRIENDLY REQUIREMENTS OF 16 CFR 1700 AND 40 CFR 157.



Pipeline Packaging 30310 Emerald Valley Pkwy
 Glenwillow, OH 44139

PPC ITEM NUMBER: 80040	SKU: 01-05-048-00236
DRAWN BY: -	CHECKED BY: -
DATE: 2/19/2019	

DESCRIPTION: 100# HDPE Blue/White OH Pail		COLOR: -	
PART MATERIAL: -	VOLUME: -	WEIGHT: -	
DWG NO.: -	DWG SIZE: A	SHEET NO: 1 of 1	REV: -

PROPRIETARY AND CONFIDENTIAL

THE INFORMATION CONTAINED IN THIS DRAWING IS THE SOLE PROPERTY OF PIPELINE PACKAGING. ANY REPRODUCTION IN PART OR AS A WHOLE WITHOUT THE WRITTEN PERMISSION OF PIPELINE PACKAGING IS PROHIBITED.

UNLESS OTHERWISE SPECIFIED:

UNITS OF MEASURE: Inches

TOLERANCES: Specified in drawing