

13-Gallon EZ STOR® Container with Hinged Cover

Multiple Uses

Dry Products

Product Codes

Container: E139

Description: 13-gallon rectangular can

Cover: E8DH

Description: Dry seal, tamper-evident, hinged, EZ open & close cover

Features

- Built in hand grips
- Gauge: 90 mil.
- Nominal capacity: 13 USG / 49.2 L
- Stack performance: 200 lbs.*
- Tare weights: Body: 4.06 lbs. / 1.84 kgs.
- Cover: .66 lbs. / .3 kgs.

Note: *Ratings will be reduced with uneven load distribution.

Specifications with Cover

- Dimensions: 16-5/16" L X 13-1/2" W X 18-11/16" H
- Maximum capacity: 13.4 USG / 50.7 L
- Tare weight: 4.72 lbs. / 2.14 kgs.

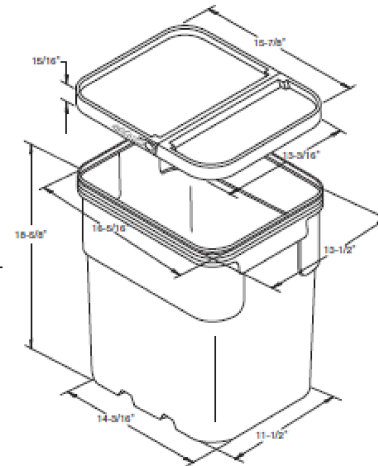
Colors

- Standard: White, Black and Natural
- Custom: Available at manufacturer's discretion

Decorating Options*

- Silk-Screen**
- Pressure sensitive labels: 8"W X 7"H
- Logo emboss for cover: 7-3/4"W X 4"H

Note: *See EZ Stor Decoration Summary for further details.
**Where available.



Shipping Data

	Bodies	Covers
Qty. per pallet:	45	1,215 (45 boxes of 27)*
Weight (lbs./kgs.)**:	182.7/82.8	801.9/364.5
Den. (lbs./C.F./kgs./m3):	3.5/56.7	7.2/115.7
Length (in./cm.):	49.0/124.5	51.0/129.5
Width (in./cm.):	40.5/102.9	42.0/106.7
Height (in./cm.):	45.0/114.3	90.0/228.6
Estimated truckload quantity of 2,340 bodies and covers***		

Filled Containers

18 (9 per layer / 2 layers high)Gross
Pallet height: 42.5"

Notes: *Bulk pack also available
**Weight does not include pallet / packaging
***Truckload quantity based on 53' trailer

Materials

- FDA approved materials
- Resin: Body: High Density Polyethylene (HDPE)
- Cover: Polypropylene (PP)
- MSDS Sheets available upon request

 30310 Emerald Valley Pkwy
Glenwillow, OH 44139

PPC ITEM NUMBER: 51600 SKU: 01-05-048-00280

DRAWN BY: - CHECKED BY: - DATE: 11/20/2018

DESCRIPTION: 13 Gal HDPE Open Head Pail COLOR: White

PART MATERIAL: HDPE VOLUME: 13 Gal WEIGHT: -

DWG NO.: - DWG SIZE: A SHEET NO: 1 of 1 REV: -

PROPRIETARY AND CONFIDENTIAL

THE INFORMATION CONTAINED IN THIS DRAWING IS THE SOLE PROPERTY OF PIPELINE PACKAGING. ANY REPRODUCTION IN PART OR AS A WHOLE WITHOUT THE WRITTEN PERMISSION OF PIPELINE PACKAGING IS PROHIBITED.

UNLESS OTHERWISE SPECIFIED:

UNITS OF MEASURE: Inches

TOLERANCES: Specified in drawing