

# 5.0-Gallon 90 mil LBR Pail with Standard Tear Skirt Cover

\*Note: Available with UN-Solids Y27/S rating for Packaging Group II and III (USA & Canada)

**Multiple Uses**    **Product Codes**  
 Dry Products    Pail: 5500 Series, 55100  
 Liquid Products    Description: 5.0-gallon LBR Pail

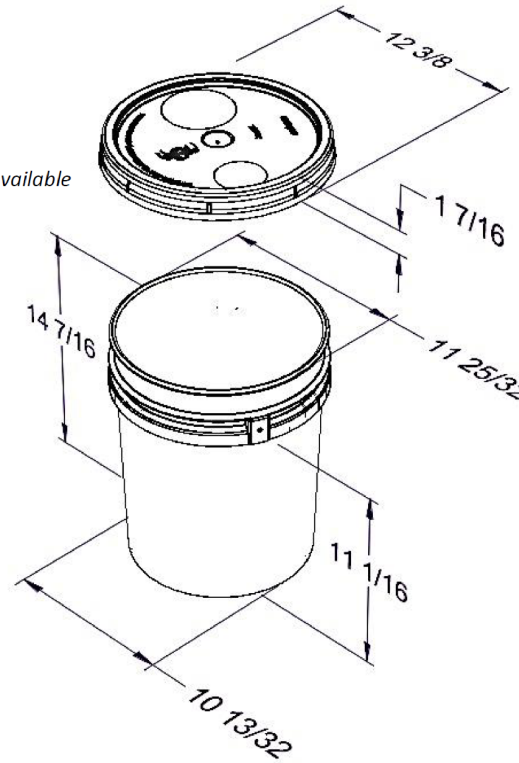
Cover: 6500 Series  
 Description: Tear Skirt Cover, Standard  
 Note: \*Multiple fitting and venting options available

**Features**  
 Gauge: 90 mil  
 Nominal capacity: 5.0 USG / 19.0 L  
 Stack performance: 350 lbs.\*  
 Tare weights:    Body: 2.08 lbs. / 948 gr.  
                           Cover: .66 lbs. / 300 gr.  
 Note: \*Ratings will be reduced with uneven load distribution.

**Specifications with Cover**  
 Dimensions: 12 3/8" D. X 14 11/16" H  
 Maximum capacity: 5.3 USG / 21.2L  
 Tare weight: 2.74 lbs. / 1.25 kgs.

**Colors**  
 Standard: White, Black and Natural  
 Custom: Available at manufacturer's discretion

**Decorating Options**  
 Four color offset printing  
 Print area: 33"W X 8-1/2"H  
 Sleeve or pressure sensitive labeling



Shipping Data	Bodies	Covers
Qty. per pallet/carton:	240*	1,200*
Gross Weight (lbs./kgs.)**:	499.2/226	792/359
Length (in./cm.):	48/122	50/127
Width (in./cm.):	36/91.4	37.5/95.3
Height (in./cm.):	45/114	96/243.8
Approximate truckload quantity of 5,520 pails and covers***		

**Filled Containers**  
 36 (12 per layer/3 layers high)  
 Pallet height: 47"

Notes:  
 \*Quantity can vary based on customer request  
 \*\*Weight does not include pallet/packaging  
 \*\*\*Based on 53' trailer and full pallet quantities

**Materials**  
 FDA approved materials  
 Resin: Body: High-Density Polyethylene (HDPE) Cover: High-Density Polyethylene (HDPE)  
 MSDS Sheets available upon request

**Optional Carrying Handle** – Wire or Plastic

**Pipeline Packaging** 30310 Emerald Valley Pkwy  
 Glenwillow, OH 44139

PPC ITEM NUMBER: 51989	SKU: 01-05-048-00327
DRAWN BY: -	CHECKED BY: -
DATE: 3/12/2020	

DESCRIPTION: 5 Gal White HDPE OH Pail 1H2/Y1.5/30, Y27/S Gold CWL		
PART MATERIAL: -	VOLUME: -	WEIGHT: -
DWG NO.: -	DWG SIZE: A	SHEET NO: 1 of 1
		REV: -

**PROPRIETARY AND CONFIDENTIAL**  
 THE INFORMATION CONTAINED IN THIS DRAWING IS THE SOLE PROPERTY OF PIPELINE PACKAGING. ANY REPRODUCTION IN PART OR AS A WHOLE WITHOUT THE WRITTEN PERMISSION OF PIPELINE PACKAGING IS PROHIBITED.

**UNLESS OTHERWISE SPECIFIED:**  
 UNITS OF MEASURE: Inches  
 TOLERANCES: Specified in drawing