

6.0 Gallon LBR Pail with Tear Skirt Cover

*Note: Available with UN-Solids Y27/S rating

Multiple Uses

Dry Products
Liquid Products

Product Codes

Pail: **5600 Series**
Description: 6.0 Gallon LBR Standard Pail

Cover: **6500 Series**

Description: Standard Tear Skirt Cover

Note: *Multiple fitting and venting options available

Features

Gauge: 90 mil
Nominal capacity: 6.0 USG / 22.7 L
Stack performance: 350 lbs.*
Tare weights: Body: 2.36 lbs. / 1,075 gr.
Cover: .66 lbs. / 300 gr.

Note: *Ratings will be reduced with uneven load distribution.

Specifications with Cover

Dimensions: 12 3/8"D. X 17 9/16"H
Maximum capacity: 6.36 USG / 24 L
Tare weight: 3.02 lbs. / 1.37 kgs.

Colors

Standard: White, Black and Natural
Custom: Available at manufacturer's discretion

Decorating Options

Four color offset printing
Print area: 33"W X 10-1/4"H
Sleeve or pressure sensitive labeling

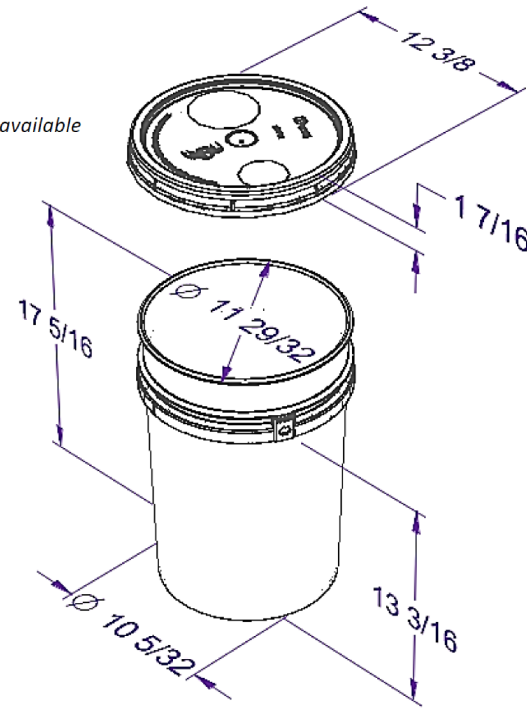
Shipping Data

	Bodies	Covers
Qty. per pallet/carton:	192*	1,200*
Gross Weight (lbs/kgs.)**:	453/205.5	792/359
Length (in./cm.):	50/127	48/121.9
Width (in./cm.):	38.5/97.8	40/101.6
Height (in./cm.):	102/259	98/249
Approximate truckload quantity of 4,416 pails and covers***		

Materials

FDA approved materials
Resin: Body: High-Density Polyethylene (HDPE) Cover: High-Density Polyethylene (HDPE)
MSDS Sheets available upon request

Optional Carrying Handle – Wire or Plastic



Filled Containers

36 (12 per layer/3 layers high)
Pallet height: 53"

Notes:

- *Quantity can vary based on customer request
- **Weight does not include pallet/packaging
- ***Based on 53' trailer and full pallet quantities



30310 Emerald Valley Pkwy
Glenwillow, OH 44139

PPC ITEM NUMBER: 57483		SKU: 01-05-048-00329	
DRAWN BY: -	CHECKED BY: -	DATE: 6/5/2020	
DESCRIPTION: 6 GAL_WHITE_HDPE_OH PAIL_1H2/Y27/S_@96 or @108_W/CWL_			
PART MATERIAL: -	VOLUME: -	WEIGHT: -	
DWG NO.: -	DWG SIZE: A	SHEET NO: 1 of 1	REV: -

PROPRIETARY AND CONFIDENTIAL

THE INFORMATION CONTAINED IN THIS DRAWING IS THE SOLE PROPERTY OF PIPELINE PACKAGING. ANY REPRODUCTION IN PART OR AS A WHOLE WITHOUT THE WRITTEN PERMISSION OF PIPELINE PACKAGING IS PROHIBITED.

UNLESS OTHERWISE SPECIFIED:

UNITS OF MEASURE: Inches

TOLERANCES: Specified in drawing