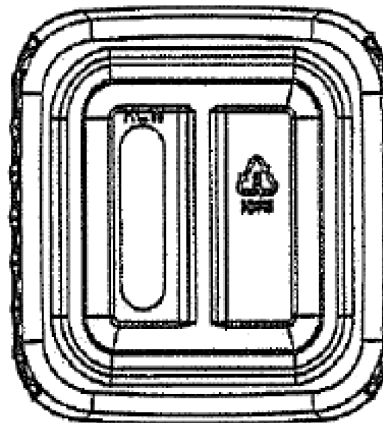
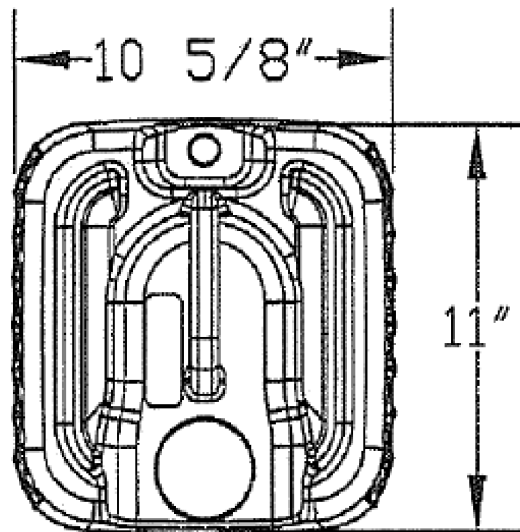



U/N Rating: 3H1/Y1.8/100



		30310 Emerald Valley Pkwy Glenwillow, OH 44139	
PPC ITEM NUMBER: 81156		SKU: 01-05-079-00008	
DRAWN BY: -	CHECKED BY: -	DATE: 2/25/2019	
DESCRIPTION: 20 L HDPE Tight Head Pail		COLOR: Blue	
PART MATERIAL: -	VOLUME: -	WEIGHT: -	
DWG NO.: -	DWG SIZE: A	SHEET NO: 1 of 1	REV: -

**PROPRIETARY AND CONFIDENTIAL**

THE INFORMATION CONTAINED IN THIS DRAWING IS THE SOLE PROPERTY OF PIPELINE PACKAGING. ANY REPRODUCTION IN PART OR AS A WHOLE WITHOUT THE WRITTEN PERMISSION OF PIPELINE PACKAGING IS PROHIBITED.

**UNLESS OTHERWISE SPECIFIED:**

UNITS OF MEASURE: Inches

TOLERANCES: Specified in drawing