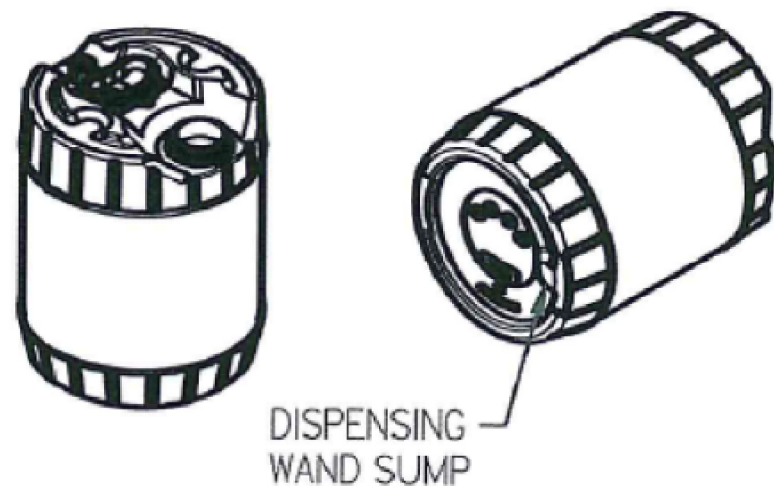
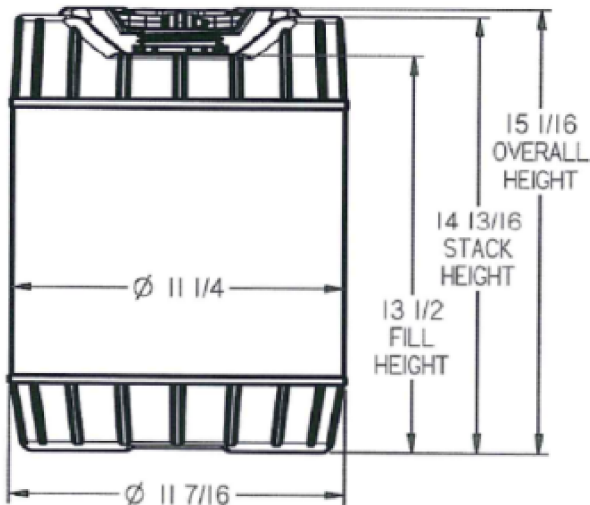


NOTES:

1. MATERIAL: PREMIUM HDPE
2. TARE WEIGHT: 1180 GRAMS (2.7 LBS)
3. CERTIFIED TO UN Y1.8/100
4. AVAILABLE WITH VARIOUS NECK FINISHES:
70mm X 8TPI PLAIN
70mm X 6TPI TAMPER EVIDENT
63mm CRIMP-ON
5. STANDARD COLORS: NATURAL, WHITE, BLUE.
6. OTHER OPTIONS AVAILABLE BY SPECIAL ORDER.



pipeline Packaging 30310 Emerald Valley Pkwy
Glenwillow, OH 44139

PPC ITEM NUMBER: 81110 SKU: 01-05-079-00022

DRAWN BY: - CHECKED BY: - DATE: 2/25/2019

DESCRIPTION: 5 Gal HDPE Tight Head Pail COLOR: Blue

PART MATERIAL: - VOLUME: - WEIGHT: -

DWG NO.: - DWG SIZE: A SHEET NO: 1 of 1 REV: -

PROPRIETARY AND CONFIDENTIAL

THE INFORMATION CONTAINED IN THIS DRAWING IS THE SOLE PROPERTY OF PIPELINE PACKAGING. ANY REPRODUCTION IN PART OR AS A WHOLE WITHOUT THE WRITTEN PERMISSION OF PIPELINE PACKAGING IS PROHIBITED.

UNLESS OTHERWISE SPECIFIED:

UNITS OF MEASURE: Inches

TOLERANCES: Specified in drawing