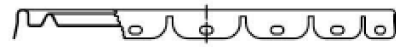
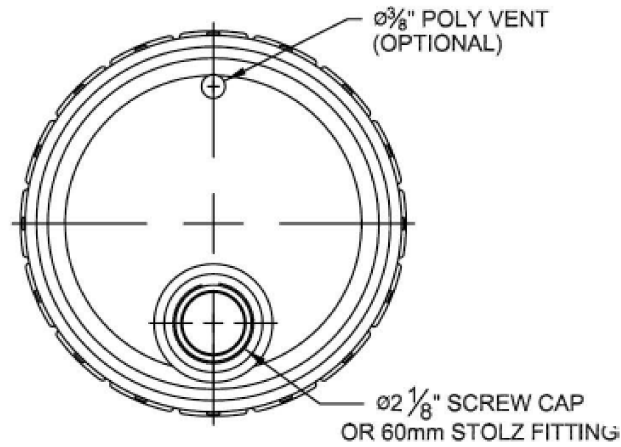
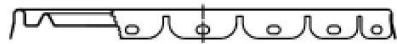
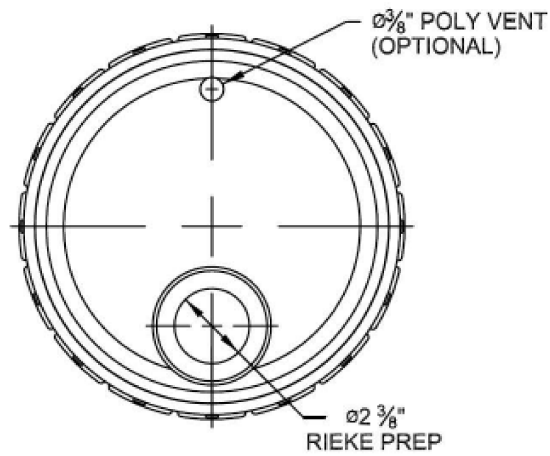


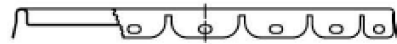
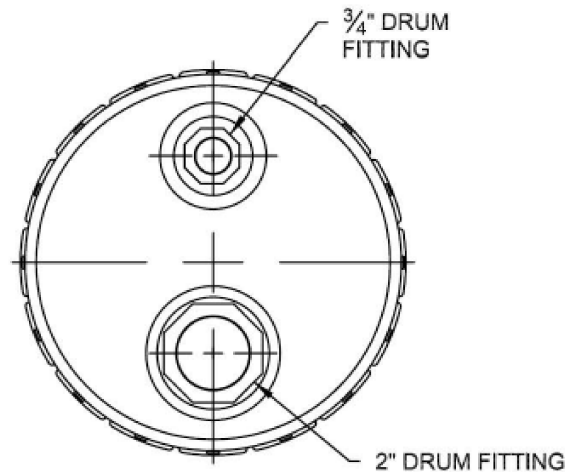
**Hi-Perform Cover**



**Screw Cap & Stolz Fitting:**



**Rieke Prep:**



**Drum Fittings:**

**COVER GASKETS AVAILABLE**

Flow - in Gasket
G1 - EPDM Tubular Gasket
G2 - Neoprene Tubular Gasket - White
G3 - Neoprene Tubular Gasket - Black
G3Q - Neoprene Tubular Gasket
G6 - SBR Tubular Gasket - Black (small dia)

**NOTES:**

1. Fits all Steel pails 2.5 gallon to 7.0 gallon.

 30310 Emerald Valley Pkwy  
Glenwillow, OH 44139

PPC ITEM NUMBER: 55075	SKU: 01-19-020-00260
DRAWN BY: -	CHECKED BY: -
DATE: 11/27/2018	

DESCRIPTION: 5 Gal Steel Red Cover Pail	COLOR: -
PART MATERIAL: -	VOLUME: -
DWG NO.: -	WEIGHT: -
DWG SIZE: A	SHEET NO: 1 of 1
REV: -	

**PROPRIETARY AND CONFIDENTIAL**

THE INFORMATION CONTAINED IN THIS DRAWING IS THE SOLE PROPERTY OF PIPELINE PACKAGING. ANY REPRODUCTION IN PART OR AS A WHOLE WITHOUT THE WRITTEN PERMISSION OF PIPELINE PACKAGING IS PROHIBITED.

**UNLESS OTHERWISE SPECIFIED:**

UNITS OF MEASURE: Inches

TOLERANCES: Specified in drawing