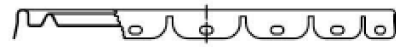
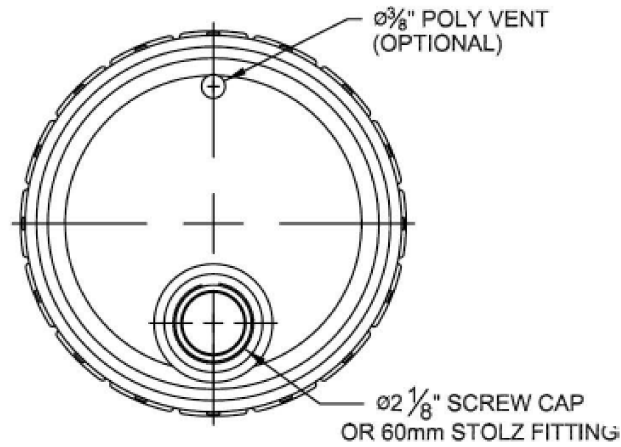
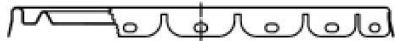
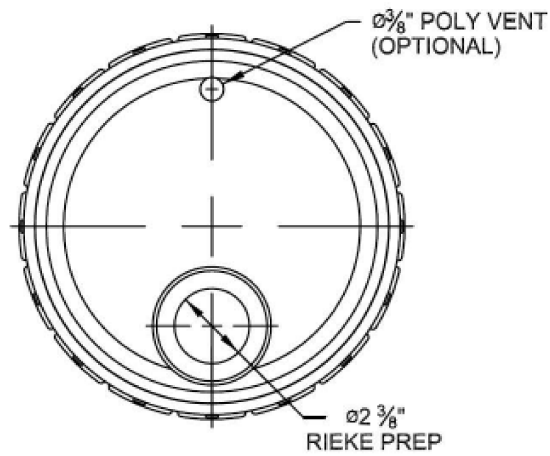


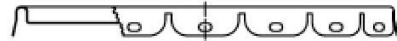
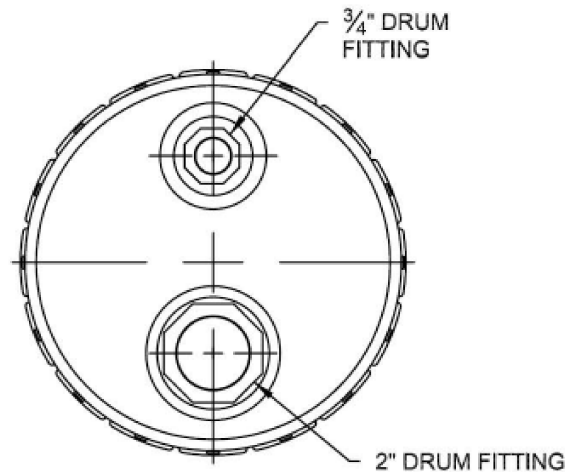
**Hi-Perform Cover**



**Screw Cap & Stolz Fitting:**



**Rieke Prep:**




**Drum Fittings:**

**COVER GASKETS AVAILABLE**

Flow - in Gasket
G1 - EPDM Tubular Gasket
G2 - Neoprene Tubular Gasket - White
G3 - Neoprene Tubular Gasket - Black
G3Q - Neoprene Tubular Gasket
G6 - SBR Tubular Gasket - Black (small dia)

**NOTES:**

1. Fits all Steel pails 2.5 gallon to 7.0 gallon.

		30310 Emerald Valley Pkwy Glenwillow, OH 44139	
PPC ITEM NUMBER: 55014		SKU: 01-19-020-00274	
DRAWN BY:	CHECKED BY:	DATE: 5/29/2020	
DESCRIPTION: 2.5-7 GAL_GRAY_INHIBITED_STEEL_LUG COVER_UN, 24H_NO FITTING, FLOW IN GSK @50			
PART MATERIAL:	VOLUME:	WEIGHT:	
DWG NO.:	DWG SIZE: A	SHEET NO: 1 of 1	REV: -

**PROPRIETARY AND CONFIDENTIAL**

THE INFORMATION CONTAINED IN THIS DRAWING IS THE SOLE PROPERTY OF PIPELINE PACKAGING. ANY REPRODUCTION IN PART OR AS A WHOLE WITHOUT THE WRITTEN PERMISSION OF PIPELINE PACKAGING IS PROHIBITED.

**UNLESS OTHERWISE SPECIFIED:**

UNITS OF MEASURE: Inches

TOLERANCES: Specified in drawing