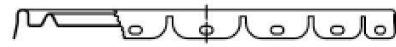
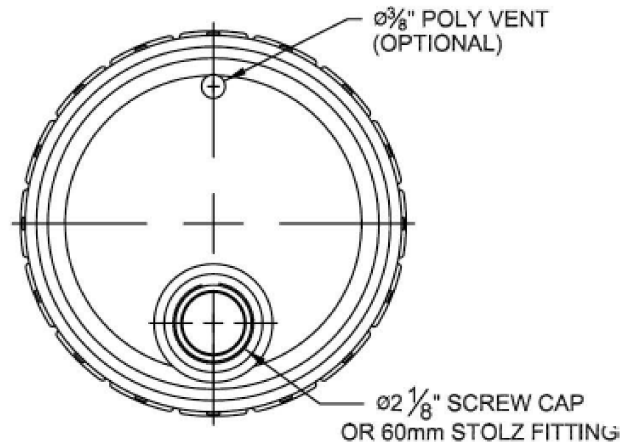
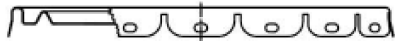
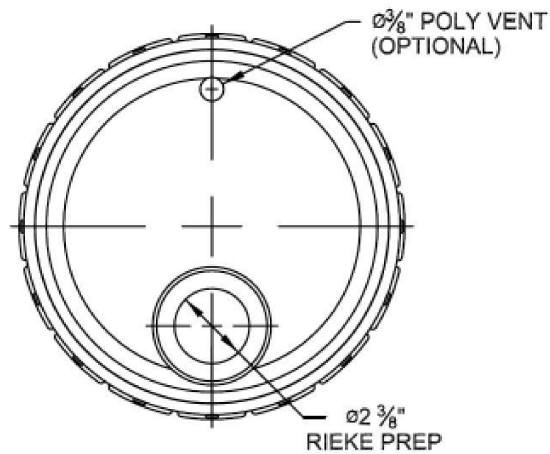


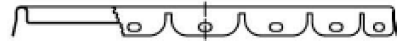
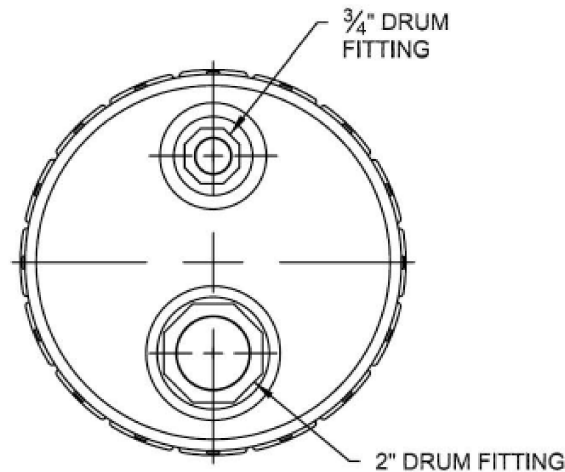
Hi-Perform Cover



Screw Cap & Stolz Fitting:



Rieke Prep:




Drum Fittings:

COVER GASKETS AVAILABLE

| |
|---|
| Flow - in Gasket |
| G1 - EPDM Tubular Gasket |
| G2 - Neoprene Tubular Gasket - White |
| G3 - Neoprene Tubular Gasket - Black |
| G3Q - Neoprene Tubular Gasket |
| G6 - SBR Tubular Gasket - Black (small dia) |

NOTES:

1. Fits all Steel pails 2.5 gallon to 7.0 gallon.

| | | | |
|---|---------------|---|--------|
|  | | 30310 Emerald Valley Pkwy Glenwillow, OH 44139 | |
| PPC ITEM NUMBER: 55193 | | SKU: 01-19-020-00319 | |
| DRAWN BY: - | CHECKED BY: - | DATE: 11/27/2018 | |
| DESCRIPTION: 5 Gal Steel White Cover Pail | | COLOR: - | |
| PART MATERIAL: - | VOLUME: - | WEIGHT: - | |
| DWG NO.: - | DWG SIZE: A | SHEET NO: 1 of 1 | REV: - |

PROPRIETARY AND CONFIDENTIAL

THE INFORMATION CONTAINED IN THIS DRAWING IS THE SOLE PROPERTY OF PIPELINE PACKAGING. ANY REPRODUCTION IN PART OR AS A WHOLE WITHOUT THE WRITTEN PERMISSION OF PIPELINE PACKAGING IS PROHIBITED.

UNLESS OTHERWISE SPECIFIED:

UNITS OF MEASURE: Inches

TOLERANCES: Specified in drawing