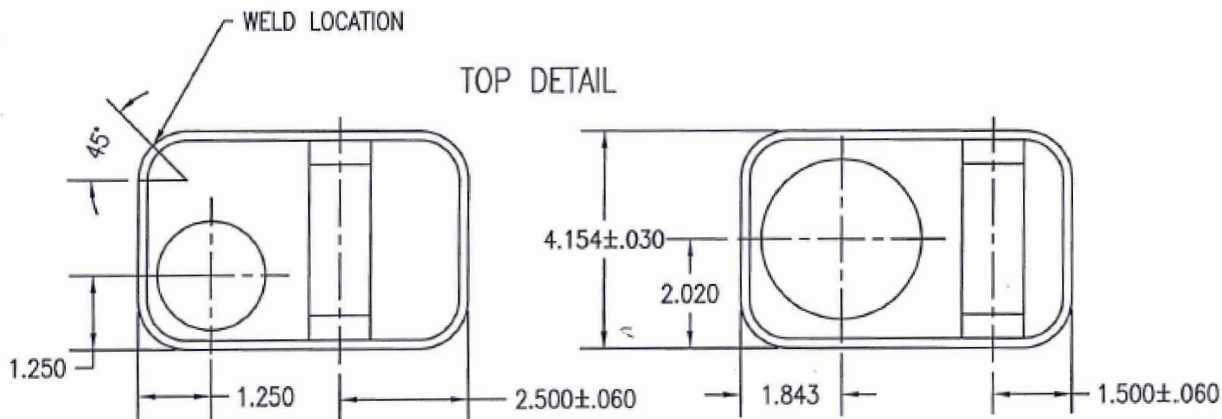


NOZZLE SIZE & TYPE	CENTER OPENING	END OPENING
RIEKE JR.		✓
32mm METRIC DIN		✓
32mm METRIC REL		✓
1 1/8" BETA		✓
1 1/4" ALPHA		✓
1 1/4" INTERNATIONAL		✓
1 3/4" ALPHA		✓
1 3/4" DELTA		✓
1 3/4" INTERNATIONAL		✓
2-5/8" SINGLE FRICTION	✓	
2-7/8" SCREW NECK	✓	



**Pipeline Packaging** 30310 Emerald Valley Pkwy  
Glenwillow, OH 44139

PPC ITEM NUMBER: 45550    SKU: 02-21-032-00047  
DRAWN BY:    CHECKED BY:    DATE: 11/1/2018

DESCRIPTION: 610 mm X 907 mm F-Style Can    COLOR: -  
PART MATERIAL: Tin    VOLUME: -    WEIGHT: -  
DWG NO.:    DWG SIZE: A    SHEET NO: 1 of 1    REV: -

**PROPRIETARY AND CONFIDENTIAL**  
THE INFORMATION CONTAINED IN THIS DRAWING IS THE SOLE PROPERTY OF PIPELINE PACKAGING. ANY REPRODUCTION IN PART OR AS A WHOLE WITHOUT THE WRITTEN PERMISSION OF PIPELINE PACKAGING IS PROHIBITED.

**UNLESS OTHERWISE SPECIFIED:**  
UNITS OF MEASURE: Inches  
TOLERANCES: Specified in drawing