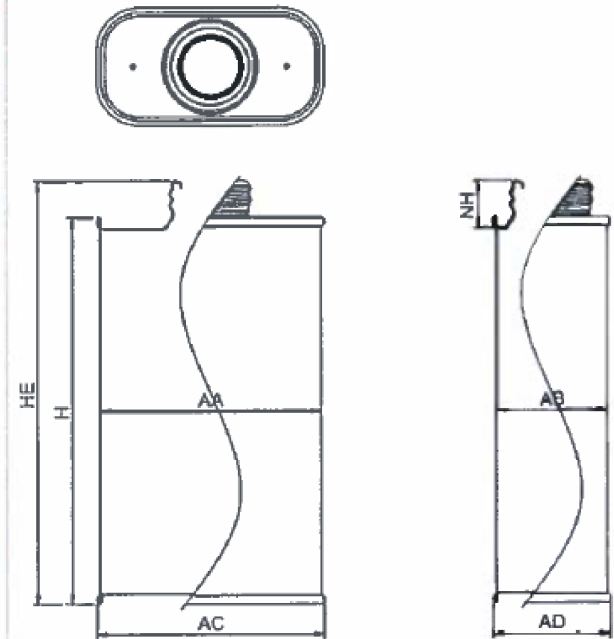


FINISHED DIMS

Container Specification

Entity Code	Entity Description	Value	Tolerance	Text
	Nominal Fill Volume	236,6 ml		
	Container Weight			TBC
HE	Overall Container Height	134,25 mm	±,50	
H	Body Height Over Seams	122,68 mm	±,50	
AA	Body Internal Length	69,70 mm		
AB	Body Internal Width	34,77 mm		
ACA	Seam External Length	71,66 mm		ref.
ACB	Seam External Width	36,73 mm		ref.
NH	Screw Neck Depth	15,08 mm		
	Container Gross Lidded Capacity	266 ml		

Container Specification Notes



pipeline Packaging 30310 Emerald Valley Pkwy
Glenwillow, OH 44139

PPC ITEM NUMBER: 47222 SKU: 02-21-032-00146

DRAWN BY: - CHECKED BY: - DATE: 11/1/2018

DESCRIPTION: 213 mm X 413 mm F-Style Can COLOR: -

PART MATERIAL: Tin VOLUME: - WEIGHT: -

DWG NO.: - DWG SIZE: A SHEET NO: 1 of 1 REV: -

PROPRIETARY AND CONFIDENTIAL

THE INFORMATION CONTAINED IN THIS DRAWING IS THE SOLE PROPERTY OF PIPELINE PACKAGING. ANY REPRODUCTION IN PART OR AS A WHOLE WITHOUT THE WRITTEN PERMISSION OF PIPELINE PACKAGING IS PROHIBITED.

UNLESS OTHERWISE SPECIFIED:

UNITS OF MEASURE: Inches

TOLERANCES: Specified in drawing