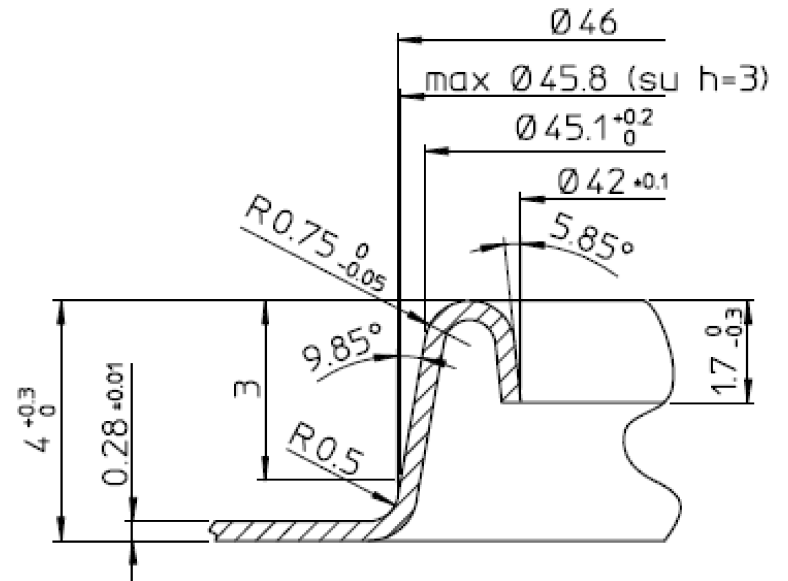


THICKNESS	
Body thickness	0,24
Bottom thickness	0,28
Lid thickness	0,28

Piercing Ø42 REL DIN 10.203

By drawing n.: ITG6107174.01

Piercing profile - REL Ø42 DIN 10203



Pipeline Packaging

30310 Emerald Valley Pkwy
Glenwillow, OH 44139

PPC ITEM NUMBER: 40615	SKU: 02-21-032-00167
DRAWN BY:	CHECKED BY:
	DATE: 10/31/2018

DESCRIPTION: 175 mm X 158 mm F-Style Can	COLOR: -
PART MATERIAL: Tin	VOLUME: -
DWG NO.:	WEIGHT: -
	DWG SIZE: A
	SHEET NO: 1 of 1
	REV: -

PROPRIETARY AND CONFIDENTIAL

THE INFORMATION CONTAINED IN THIS DRAWING IS THE SOLE PROPERTY OF PIPELINE PACKAGING. ANY REPRODUCTION IN PART OR AS A WHOLE WITHOUT THE WRITTEN PERMISSION OF PIPELINE PACKAGING IS PROHIBITED.

UNLESS OTHERWISE SPECIFIED:

UNITS OF MEASURE: Inches
TOLERANCES: Specified in drawing