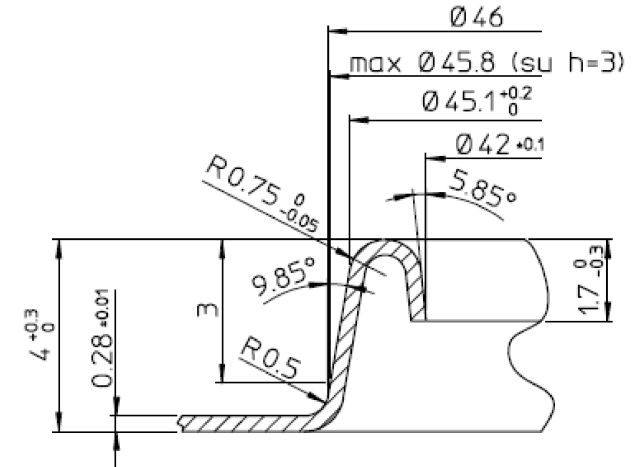


Piercing profile - REL Ø42 DIN 10203



| THICKNESS | |
|------------------|------|
| Body thickness | 0,24 |
| Bottom thickness | 0,28 |
| Lid thickness | 0,28 |



Pipeline Packaging

30310 Emerald Valley Pkwy
Glenwillow, OH 44139

PPC ITEM NUMBER:

40616

SKU:

02-21-032-00175

DRAWN BY:

CHECKED BY:

DATE:

10/31/2018

DESCRIPTION:

175 mm X 291 mm F-Style Can

COLOR:

-

PART MATERIAL:

Tin

VOLUME:

-

WEIGHT:

-

DWG NO.:

-

DWG SIZE:

A

SHEET NO.:

1 of 1

REV:

-

PROPRIETARY AND CONFIDENTIAL

THE INFORMATION CONTAINED IN THIS DRAWING IS THE SOLE PROPERTY OF PIPELINE PACKAGING. ANY REPRODUCTION IN PART OR AS A WHOLE WITHOUT THE WRITTEN PERMISSION OF PIPELINE PACKAGING IS PROHIBITED.

UNLESS OTHERWISE SPECIFIED:

UNITS OF MEASURE: Inches

TOLERANCES: Specified in drawing