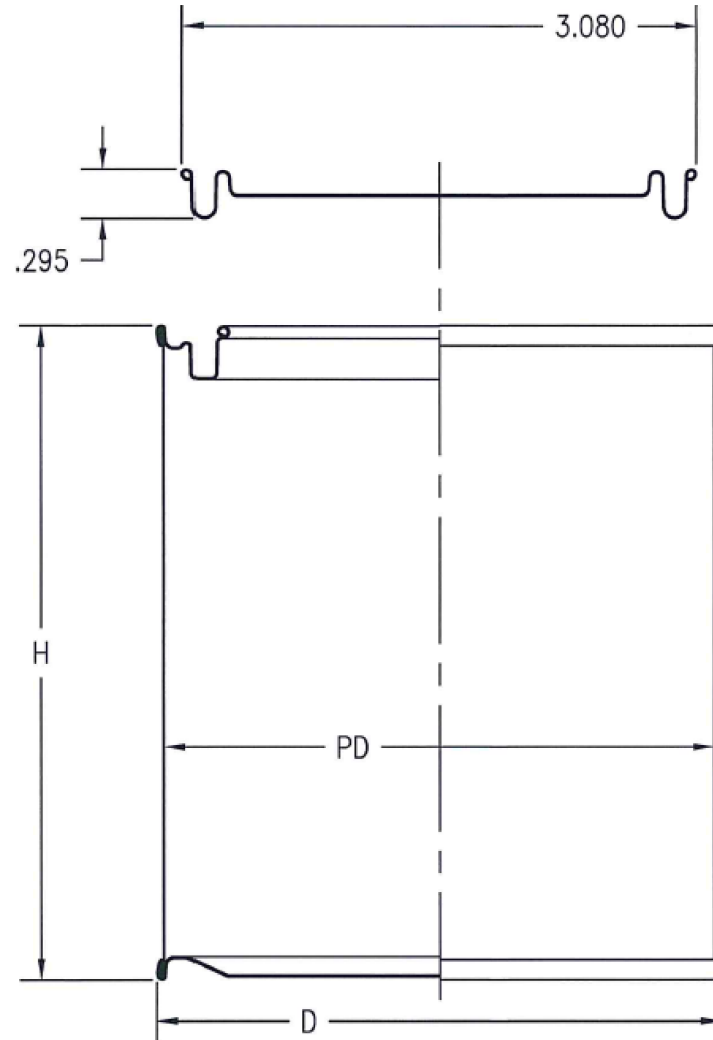
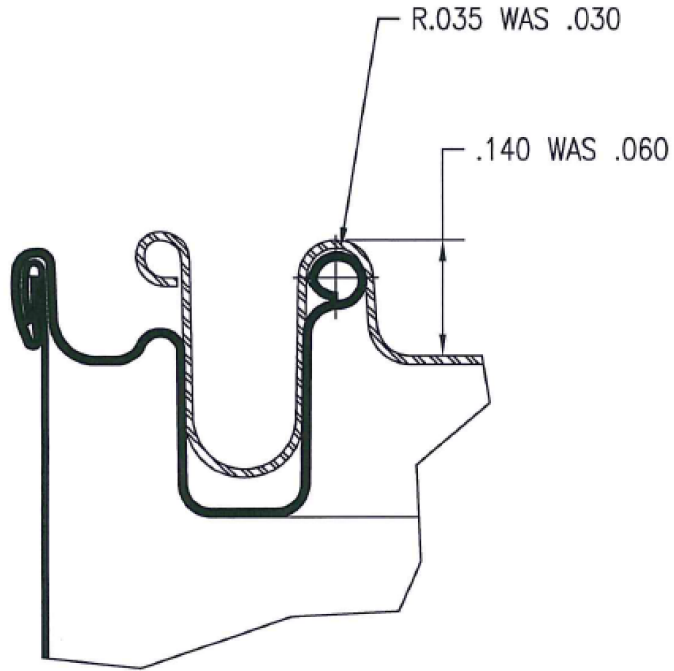


**"PHASE 2 DESIGN"**



REFERENCE DIMENSIONS			
CAN	D	PD	H
307 X 315	3.400	3.281	3.925



**Pipeline Packaging**

30310 Emerald Valley Pkwy  
Glenwillow, OH 44139

PPC ITEM NUMBER: 47003		SKU: 02-21-054-00085	
DRAWN BY: -	CHECKED BY: -	DATE: 11/1/2018	
DESCRIPTION: 307 mm X 315 mm Paint Can		COLOR: -	
PART MATERIAL: Tin	VOLUME: -	WEIGHT: -	
DWG NO.: -	DWG SIZE: A	SHEET NO: 1 of 1	REV: -

**PROPRIETARY AND CONFIDENTIAL**

THE INFORMATION CONTAINED IN THIS DRAWING IS THE SOLE PROPERTY OF PIPELINE PACKAGING. ANY REPRODUCTION IN PART OR AS A WHOLE WITHOUT THE WRITTEN PERMISSION OF PIPELINE PACKAGING IS PROHIBITED.

**UNLESS OTHERWISE SPECIFIED:**

UNITS OF MEASURE: Inches  
TOLERANCES: Specified in drawing