

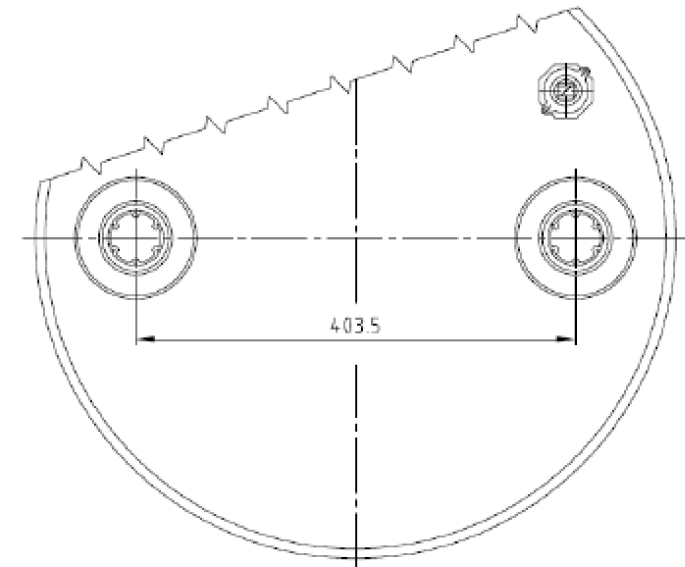
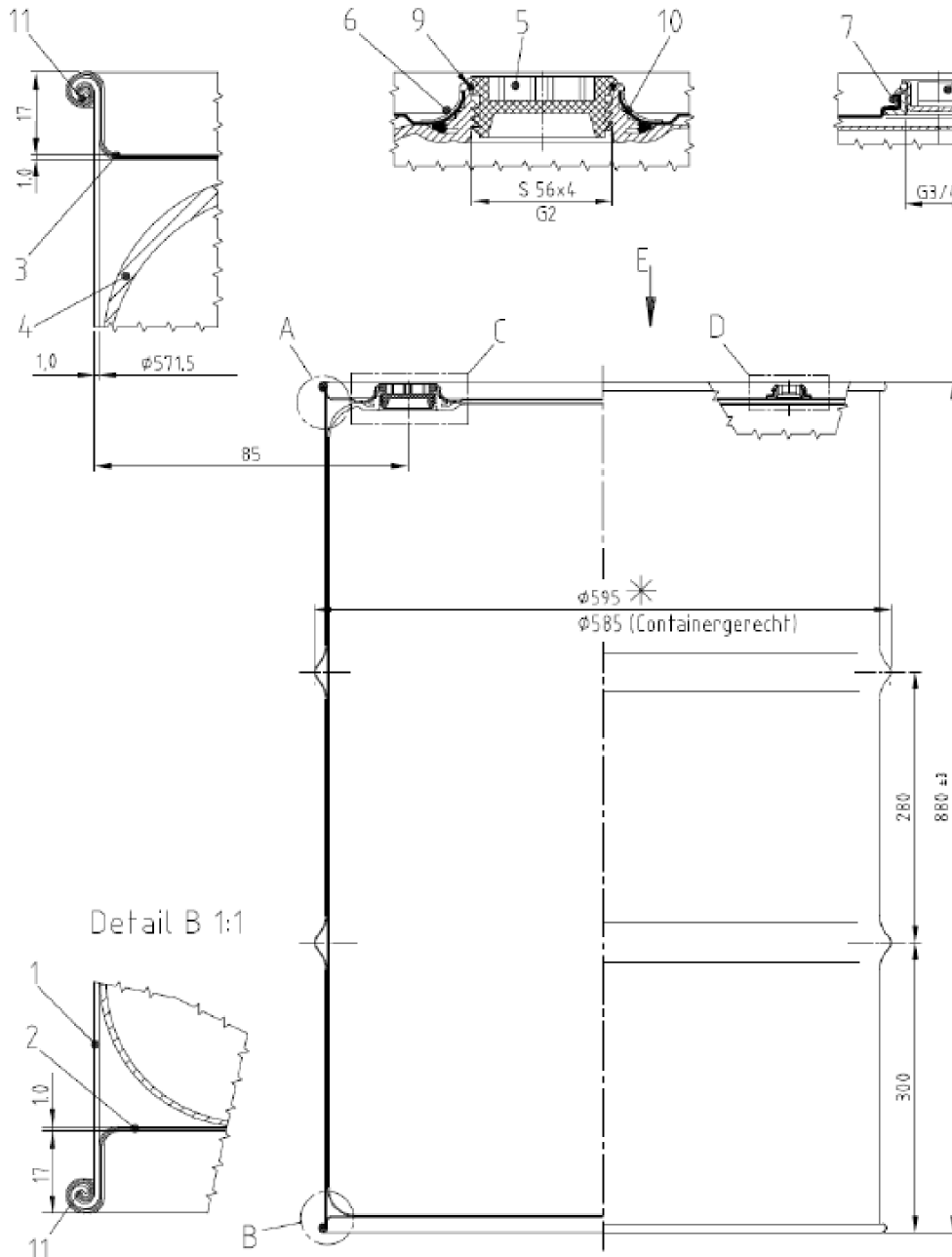
55 gal Tight Head Black Steel Drum with 2" and 2" Fittings

Detail A 1:1

Detail C 1:2

Detail D 1:2

Ansicht E



* wahlweise entspr. Kundenanforderung

			Ge wicht Total Poids totale	Nominal Dsg l	21,4	Immer roh, aussen lackiert
	Dichtmasse	11				
2	Dichtring	10				wahlweise
2	Dichtung	9		Nitril / PE EPDM		wahlweise
1	Verschraubung G3/4	8		Stahl		wahlweise
1	Plombiering	7		Stahl		wahlweise
2	Plombiering	6		Stahl		wahlweise
2	Schraubstopfen	5		PP	5 56x4 / G2	Sägen- / Fein gewind wahlweise
1	Einstellbehälter	4		HDPE	3,6 kg	PEK-4100A
1	Oberboden	3		Stahl		
1	Boden	2		Stahl		
1	Mantel	1		Stahl		



Pipeline Packaging

30310 Emerald Valley Pkwy
Glenwillow, OH 44139

PPC ITEM NUMBER:

82159

SKU:

03-19-079-00148

DRAWN BY:

CHECKED BY:

DATE:

3/12/2019

DESCRIPTION:

55 Gal Tight Head Steel Drum

COLOR:

Black

PART MATERIAL:

VOLUME:

WEIGHT:

DWG NO.:

DWG SIZE:

SHEET NO:

REV:

A

1 of 1

-

PROPRIETARY AND CONFIDENTIAL

THE INFORMATION CONTAINED IN THIS DRAWING IS THE SOLE PROPERTY OF PIPELINE PACKAGING. ANY REPRODUCTION IN PART OR AS A WHOLE WITHOUT THE WRITTEN PERMISSION OF PIPELINE PACKAGING IS PROHIBITED.

UNLESS OTHERWISE SPECIFIED:

UNITS OF MEASURE: Inches

TOLERANCES: Specified in drawing