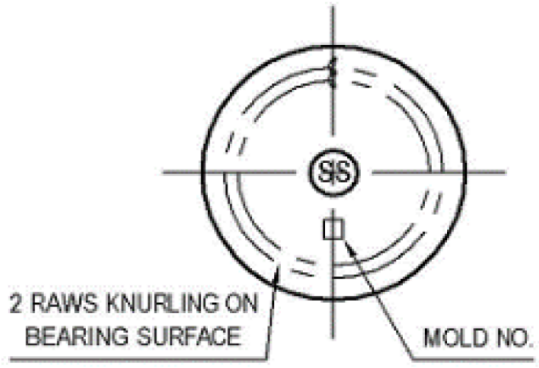


S / 2:1
GPI 20-400



pipeline Packaging 30310 Emerald Valley Pkwy
Glenwillow, OH 44139

PPC ITEM NUMBER: 61087 SKU: 04-04-011-00023
DRAWN BY: - CHECKED BY: - DATE: 9/17/2019

DESCRIPTION: 1 oz Amber Glass Boston Round COLOR: Amber
PART MATERIAL: Glass VOLUME: 1 oz WEIGHT: 44 gms
DWG NO.: - DWG SIZE: A SHEET NO: 1 of 1 REV: -

PROPRIETARY AND CONFIDENTIAL
THE INFORMATION CONTAINED IN THIS DRAWING IS THE SOLE PROPERTY OF PIPELINE PACKAGING. ANY REPRODUCTION IN PART OR AS A WHOLE WITHOUT THE WRITTEN PERMISSION OF PIPELINE PACKAGING IS PROHIBITED.

UNLESS OTHERWISE SPECIFIED:
UNITS OF MEASURE: Millimeters
TOLERANCES: Specified in drawing