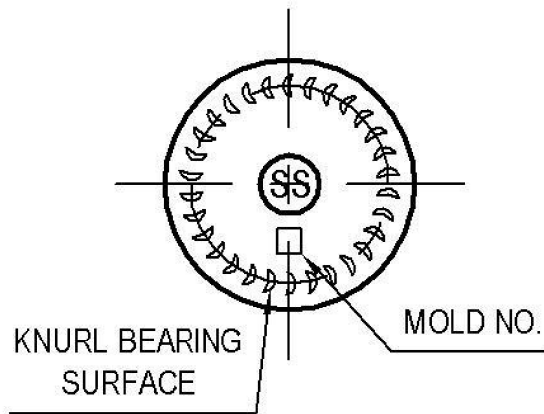


S/2:1  
GPI 18-400



**pipeline Packaging** 30310 Emerald Valley Pkwy  
Glenwillow, OH 44139

PPC ITEM NUMBER: 61201      SKU: 04-04-011-00024  
DRAWN BY:      CHECKED BY:      DATE: 9/17/2019

DESCRIPTION: 1/2 oz Blue Glass Boston Round      COLOR: Blue  
PART MATERIAL: Glass      VOLUME: 16.4 ± 3 cc      WEIGHT: 25.5 ± 6.5 g  
DWG NO.:      DWG SIZE: A      SHEET NO: 1 of 1      REV: -

**PROPRIETARY AND CONFIDENTIAL**  
THE INFORMATION CONTAINED IN THIS DRAWING IS THE SOLE PROPERTY OF PIPELINE PACKAGING. ANY REPRODUCTION IN PART OR AS A WHOLE WITHOUT THE WRITTEN PERMISSION OF PIPELINE PACKAGING IS PROHIBITED.

**UNLESS OTHERWISE SPECIFIED:**  
UNITS OF MEASURE: Millimeters  
TOLERANCES: Specified in drawing